

Etac Swift Mobile Tilt with motor

Makes tilting smooth and easy.



Power function for easy and smooth manoeuvre
Swift Mobile Tilt with Motor enables controlling the tilt function from any position with the means of a hand control. This means that the carer to give assistance during the tilting process.

Swift Mobile Tilt functionality

This tilt powered version has the same basic unique features and functions as all Swift Mobile models.

Swift Mobile Tilt has a smooth and controlled tilt function.

Description

Swift Mobile Tilt with motor	80209490
Swift Mobile Tilt with motor incl. bucket holder	80209491
Swift Mobile Tilt with motor incl. pan holder	80209492
Standard: Head support, backrest, armrest, seat, foot supports, heel straps, 4 lockable wheels.	

Material

Frame: Powder coated steel tube
Seat/Armrests: Polypropylene
Back support: Polyester/Velcro
Foot support: Polypropylene
Wheels: Polyamide/TPE, mounted in ball bearings
Head support: Polyurethane
Heel straps: Polyester

Weight

Weight: 23.6 kg (52 lbs)

Dimensions

Total width: 58 cm (22¾")
Total length: 104 cm (41")
Adjustable tilt in space: +5 till -35°
Adjustable seat height: 50–65 cm (19¾–25¾")
Width between arm supports: 48 cm (19")



Clean the product with a solvent-free cleaning agent (pH level 6–9), or with a 70% disinfectant solution. Can be decontaminated at max. 85°C / 185°F if so required.

Features



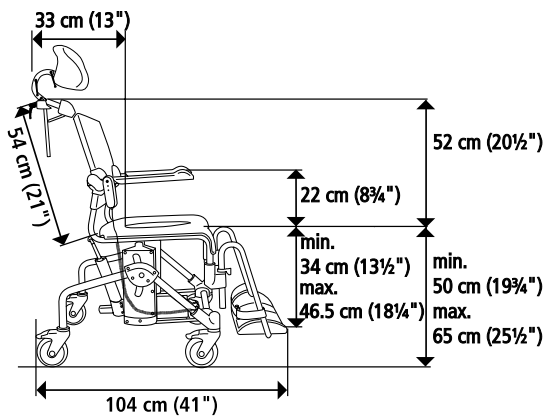
Control unit and battery

The control unit and battery occupy very little space, which means that it is easy to position the shower stool over the toilet.



Hand Control

Distinct buttons makes it easy to handle.



Accessories

See our wide range of accessories on page 50-51.



The head support is adjustable in height, depth and sideways for optimum support. Tilting the seat enables the best conditions for relaxation and communication.

Accessories for all Swift Mobile models



Head Support
80209447
Complete with attachment. Adjustable in height, depth and sideways. Material: Polyuretane, stainless steel and zinc. max. 85° C (185°F) or with alcohol wipe



Side support
Grey: 80209509
Supports the upper trunk.
Material: Polyester fabric, Velcro, polyethylene.
Washing at max 60°C (140°F)



Arm supports widening kit
Pair: 80209441
Increases the space between the arm supports by 6 cm (2½"). Standard for Swift Mobile/Tilt 160.



Cross bar
Length: 60.5 cm (24.2") 80303034
Length: 66.5 cm (26.6") 80209452
For safety and additional support.
Material: Aluminium, polypropene and cellular polyethylene. Notice: 66.5 cm is for Swift Mobile 160 and Swift Mobile Tilt 160.



Hemi Arm Support
Pair: 80209035
Fits both left and right side. Material: Cellular polyethylene, aluminium, stainless steel, polystyrene.



Chest harness strap
80209442
Adjustable in length. Attach to back support. Always use together with positioning belt.
Material: Polyester



Arm supports lock
Pair: 80209445
Locks the arm supports in down-folded position. Material: Stainless steel.



Positioning belt
80209440
Adjustable in length. Attachment with velcro straps.
Material: Polyester



Comfort seat
80209433
A seat pad which reduces the recess opening to 18 cm (7"). Material: Foamed polyurethane. max. 85° C (185°F) or with alcohol wipe



Tilter
80209449
For easy transfer over thresholds and other obstacles



Seat cover
80209434
When a complete seat is required. Material: Foamed polyurethane. max. 85° C (185°F) or with alcohol wipe



Heel straps
Pair: 80209432
Adjustable in length.
Material: Polyester



Soft Back Pad
80209448
Warm, soft and water repellent. Material: Polyethylene. max. 60° C (140°F) or with alcohol wipe



Elevating Leg- and calf support
80209437
Fits both left and right side.
Material: ABS



Splash Guard
80209430
Fits into the recess opening. To be placed when user sits in the chair.
Material: Polyurethane



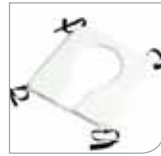
Foot support for leg- and calf support
Pair: 80209443
Fits both left and right side. Foot support adjustable in 6 positions.
Material: Stainless steel, polypropylene.



The comfortable foot supports provide stability and protects the feet from the castors.



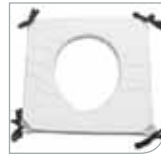
Attachment pan- and bucket holder,
Grey, set: 80209435
For pan- and bucket holder. To be mounted on the lower side of the seat.
Material: Polyamide.



Soft cushion with standard opening
80209065
Material: Polyether/Sealed coated cover



Pan holder
Grey, pair: 80209257
Fits both Swift Mobile pan and other with thin rim. Order attachment to pan holder separately. Material: Polypropene.



Soft cushion with oval opening
80209067
Material: Polyether/Sealed coated cover



Pan
Grey: 80209254

Pan, incl lid with handle
Grey: 80209255

Lid with handle
Grey: 80209256
Material: Polyamide.



Anti tip, pair
Excluding attachment (for Swift mobile 24"): 80209438
Including attachment (for Swift Mobile): 80209439
(for Swift Mobile Tilt): 80209459
Increases safety if the center of gravity is far back, e.g. leg amputations.
Material: Aluminium



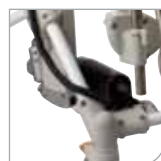
Attachment for low mounting of pan/bucket
Grey, set of four: 80209259
Material: polypropylene



Rear wheel kit
80209436
24" rear wheels with solid tires. With built in attachment for anti tip.
Material: Polyamide, stainless steel.
Incl. attachment and brakes. Do not fit Swift Mobile 160 or Swift Mobile Tilt.



Leg support
80209446
Leg support with foldable and angle adjustable footplate.



Power tilt kit
80209499
For Swift Mobile Tilt and Swift Mobile Tilt 160 only. Hand control and charger are included.