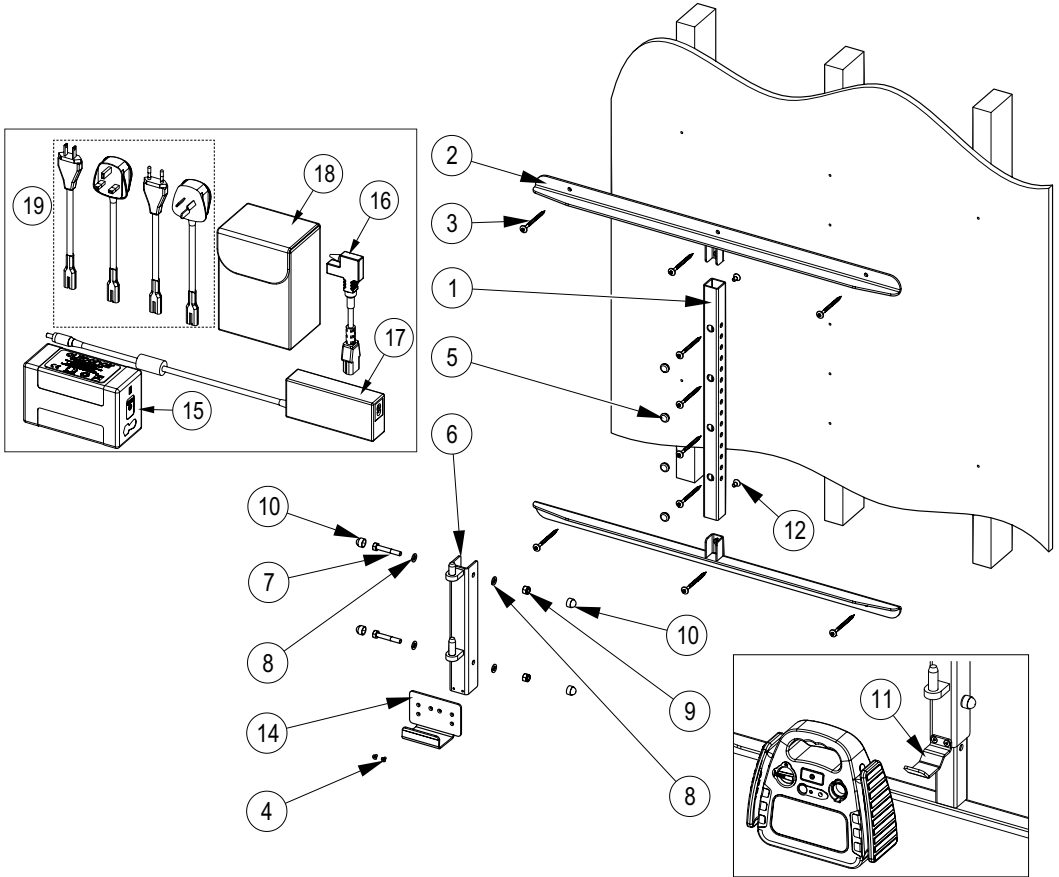


Wall Bracket

Installation Instructions

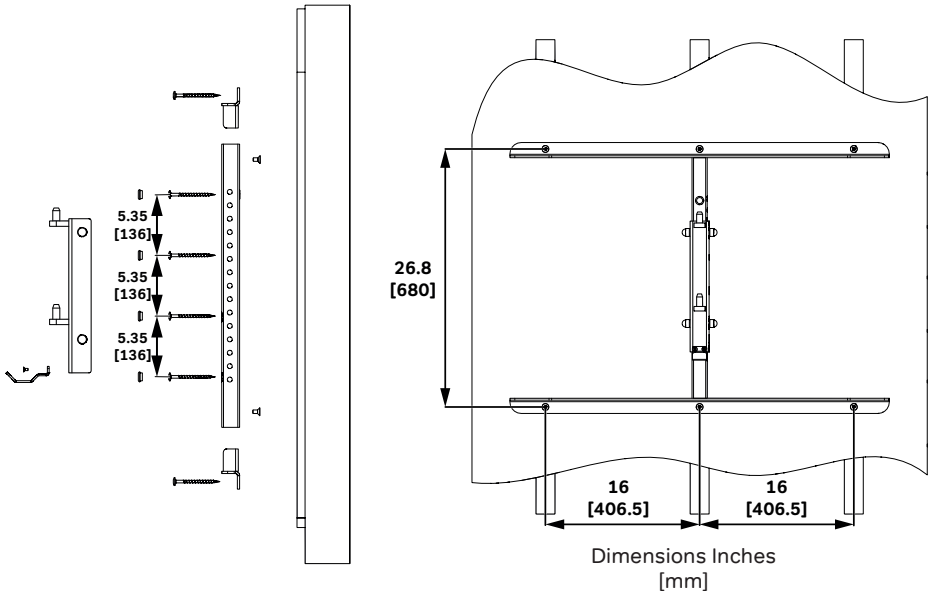
Parts List



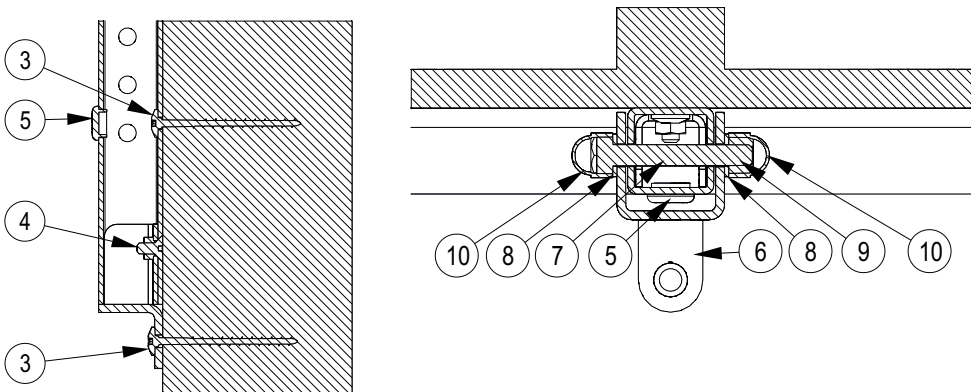
NO.	ITEM DESCRIPTION	QTY.
1	Vertical Pillar	1
2	Horizontal Frame Fabrication	2
3	Wall Fixing (Supplied)	10
4	Socket C'Sunk Capscrew M5x10L	2
5	Plastic Insert	4
6	Pivot Post	1
7	Hex Head Bolt M10x65L	2
8	Plain Washer M10	4
9	Lock Nut	2
10	Nut Cap	4

NO.	ITEM DESCRIPTION	QTY.
11	Battery Hook (Old style Power Pack)	1
12	Socket C'Sunk Capscrew M8x16L	2
13	Wall Fixing Torx Drive Bit (Not Shown)	1
14	Power Pack Bracket	1
15	Power Pack	1
16	Kettle Connector	1
17	Mains Charger	1
18	Carry Case	1
19	Universal Mains Connectors	4

Fitting



1. Ensure frame fixings will be positioned over, and securely fix into, the wall studs, as central to each stud as possible.
2. Mark out 2 horizontal lines 26 $\frac{3}{4}$ " (680mm) apart.
3. Mark out 3 hole centres on each line, 16" (406.4mm) apart as shown.
4. Between the centre holes (in line with the centre of the frame) mark a vertical line.
5. Mark out 4 hole centres on the vertical line at 5.35" (136mm) pitch.
6. The assembled frame can be used as a guide.
7. Ensure the vertical post will be as true to vertical as possible for correct operation of the lift.



Fitting



WARNING! It is the responsibility of the Installation Technician to ensure that the wall bracket is assembled and mounted correctly.



WARNING! The complete unit must be installed and tested, ensuring that it is capable of lifting the operating load of the Milford person Lift.



WARNING! The fixings supplied are intended for use only in timber construction weight bearing walls.



WARNING! For installation on any other type of wall material; use appropriate fixings for the type of wall construction.



WARNING! It is the responsibility of the installer to ensure that the installation is fit for purpose.



WARNING! Autochair will not be responsible for inadequate installation or use of inappropriate fixing methods.



Copyright © 2020
Autochair Ltd.
1226108 Rev. C

Manufactured By:
Autochair Ltd.
Wood Street North
Meadow Lane Industrial Estate
Alfreton
Derbyshire
DE55 7JR

Distributed By:
Mobility Innovations LLC.
51277 Celeste
Shelby Township
MI 48315