

INNOVATIVE PRODUCTS FOR SENIORS AND PEOPLE WITH DISABILITIES

The MULTICHAIR 6000 have a solid backrest and locking cantilever armrests for the comfort desired in an in-home setup. Self-skinning urethane cushions keep moisture out, and the easy-to-remove, self-aligning connector bridge operates smoothly with minimum effort with most any load, thanks to its self-aligning V-Track and tough Delrin® wheels.



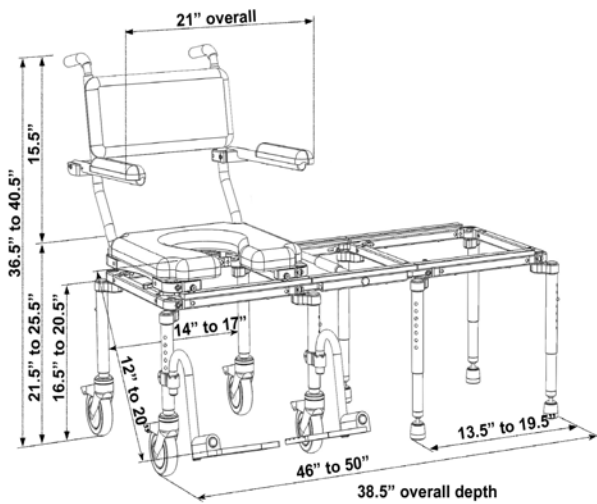
MULTICHAIR 6000

Features

- Swing-away / removable push handles
- Cantilever fold-back / locking padded chair arms
- Self-skinning padded urethane back and seat cushion with 1/2" waterfall-style foam ring around the commode opening and slot help protect the ischial and coccyx areas to reduce risk of pressure sores
- Seat height adjusts from 20-1/2" to 24-1/2" (easily fits over the highest toilets required by the ADA)
- Adjustable swing-away footrests
- Four 5" casters with total-lock brakes
- Constructed of materials that won't rust or corrode: Aircraft-grade aluminum, brass, stainless steel and plastic

Specifications

- Approximate weight: 46 lbs.
- Weight capacity: 6000, 300 lbs.
- Passed ANSI / BIFMA X5.1 test performed by Gaynes Labs, Inc. (a national testing laboratory). Weights of 250 lbs. and 300 lbs. were dropped on the chair, with no structural breakage or loss of serviceability



6000