



Molift Smart 150

Light, foldable and easy to transport

 **etac**[®]



Molift Smart 150

LIGHT, FOLDABLE AND TRANSPORTABLE WITHOUT TOOLS



Compact smartness

Molift Smart 150 is designed to be easily wheeled and transported to where it is required. It is designed for home care, for travelling and easy storage. The Molift Smart is foldable in one piece without using any tools.

Low weight and unique construction

Due to its low weight, the small footprint and the unique construction, Molift Smart 150 is easy to manoeuvre even in narrow spaces.

Comfortable and safe transfer

The hoisting range of 27–168 cm (10.6"–66.1") provides an excellent maximum hoisting height and at the same time gets very low, facilitating hoisting from the floor. Standard 4-point sling suspension ensures a comfortable and spacious hoisting position for the user.

Molift Smart 150 has been awarded for Design Excellence by the Norwegian Design Council.

Description Molift Smart 150	Item no. 10200	Leg height 110 mm (4.4")	Hoisting interval 1410 mm (55.5")	Cleaning instructions Use pH-neutral cleaning agents. If disinfection is required, use isopropyl alcohol. Do not use abrasive or corrosive substances for cleaning.
Service Software Included		Width chassis/legs outer 660 mm (25.9")	Battery NiMH 14.4 V – 2.2 Ah Item no. 0541000	
Material Aluminium, steel		Width open legs inner 925 mm (36.4")	Battery charge time Approx. 3 hours	
Total Weight 26 kg (57 lbs)		Dimension folded 1160 x 475 x 360 mm (45.32" x 18.7" x 14")	Hoisting speed 60 mm/sec (2.4"/sec)	
Weight when separated Part 1: 13 kg (28.6 lbs) Part 2: 13 kg (28.6 lbs)		Hoisting height 270–1665 mm (10.6"–66.1")	Rated performance 40 hoists at: 75 kg and 50 cm (165 lbs and 19.5")	
Length 1200 mm (47.2")				

Features



4-point suspension

Standard 4-point suspension ensures comfortable and more spacious hoisting position for the user.



Hoists easily from floor

Molift Smart has a large hoisting span that allows hoisting from the floor as well as high surfaces.



Foldable without tools

Designed for homecare and travelling.

Accessories



Travel Suitcase – Molift Smart 150

This hard shell suitcase provides additional protection when transporting by air. It is TSA approved for air travel and ideal for the client with an active life.

Item no. 0990200



Travel Bag for Molift Smart 150

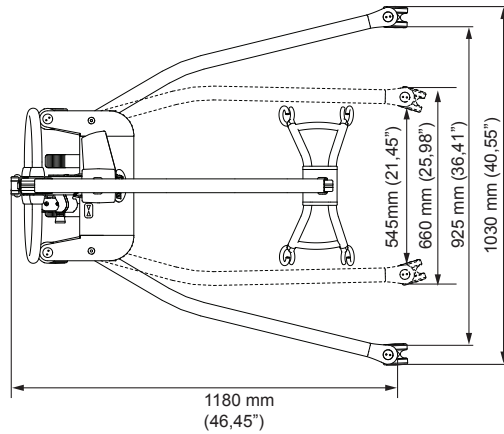
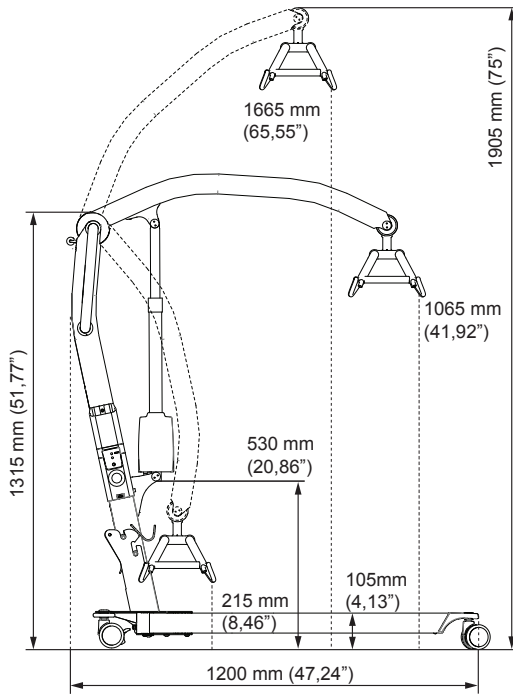
The soft shell travel bag has extra large transport wheels. It protects the hoist, and enables easy transporting.

Item no. 3049177



Molift Smart folds and unfolds easily without using any tools and can be separated into two parts where the heaviest part weighs only 13 kg.

Dimensions Molift Smart 150



Everyone should be able to live a free and independent life and pursue their dreams regardless of any physical circumstances.

12801 E. Independence Boulevard
P.O. Box 1739
Matthews, NC 28106
USA
Tel 844-876-6245
www.etac.com/us

etac[®]
Creating Possibilities