



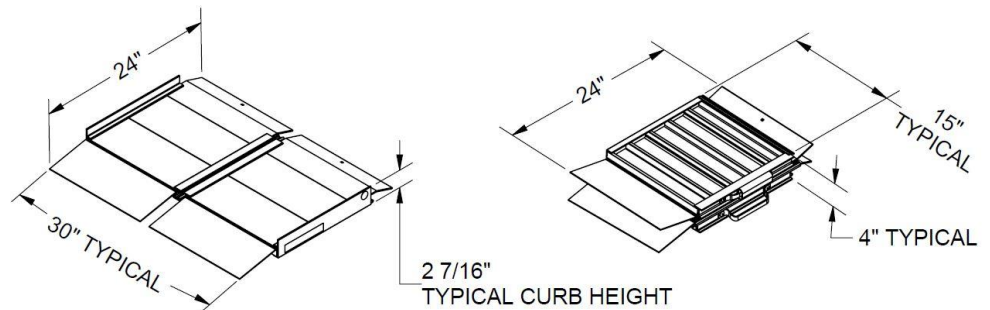
SUITCASE® Singlefold Ramp Technical Specifications

MODEL	SUITCASE SF02	SUITCASE SF03	SUITCASE SF04	SUITCASE SF05	SUITCASE SF06	SUITCASE SF07	SUITCASE SF08
MADE OF ALUMINUM	✓	✓	✓	✓	✓	✓	✓
SLIP-RESISTANT SURFACE	✓	✓	✓	✓	✓	✓	✓
BUILT-IN CARRYING HANDLE	✓	✓	✓	✓	✓	✓	✓
USABLE SIZE (L x W)	2' x 30"	3' x 30"	4' x 30"	5' x 30"	6' x 30"	7' x 30"	8' x 30"
FOLDED SIZE (L x W x H)	24" x 15" x 4"	36" x 15" x 4"	48" x 15" x 4"	60" x 15" x 4"	72" x 15" x 4"	84" x 15" x 4"	96" x 15" x 4"
WEIGHT*	11 lbs.	17 lbs.	23 lbs.	29 lbs.	34 lbs.	41 lbs.	47 lbs.
WEIGHT CAPACITY (DO NOT EXCEED)	800 lbs.	800 lbs.	800 lbs.	800 lbs.	800 lbs.	800 lbs.	800 lbs.
FOR WHEELCHAIRS & SCOOTERS	✓	✓	✓	✓	✓	✓	✓
USAGE GUIDELINES (RISE)**	Curbs, 1 step	Curbs, 1 step	Curbs, 1-2 steps	Curbs, 1-2 steps, some minivans	1-3 steps, some minivans & SUVs	1-3 steps, some minivans & SUVs	2-3 steps, some minivans & SUVs
WARRANTY	Lifetime Limited	Lifetime Limited	Lifetime Limited	Lifetime Limited	Lifetime Limited	Lifetime Limited	Lifetime Limited

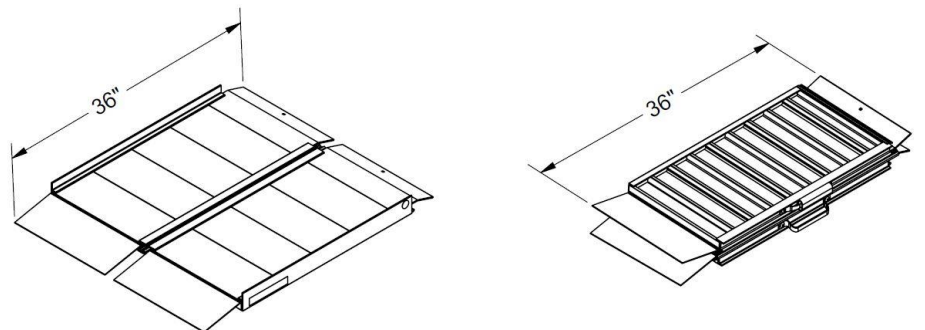
* Weights and dimensions are approximate and subject to change.

** Consult your equipment's owner guide for proper degree of incline. Never exceed its recommendations.

SUITCASE SF02



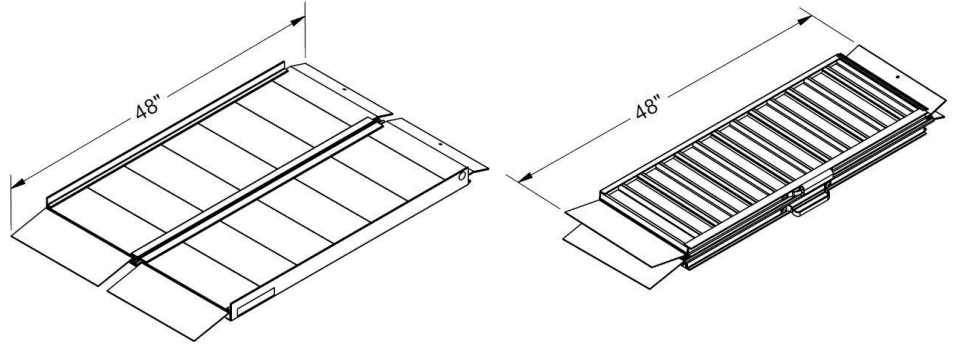
SUITCASE SF03



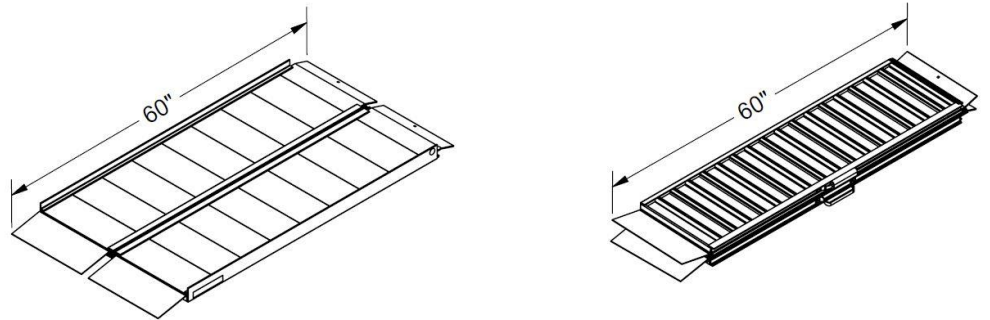


SUITCASE® Singlefold Ramp Technical Specifications

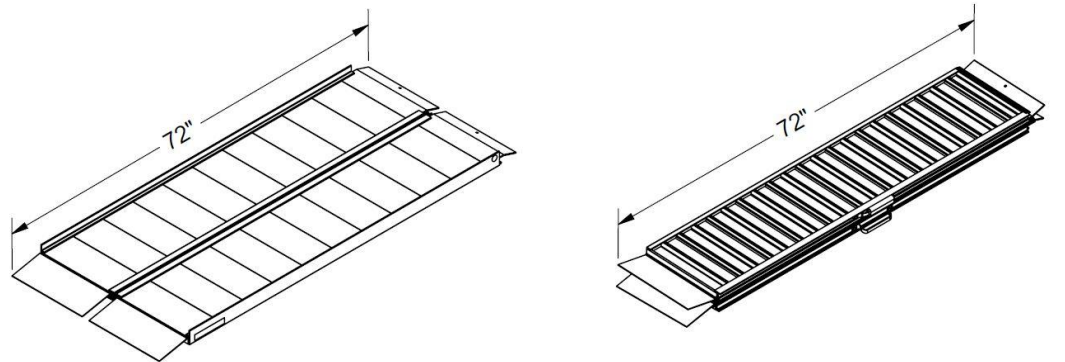
SUITCASE SF04



SUITCASE SF05



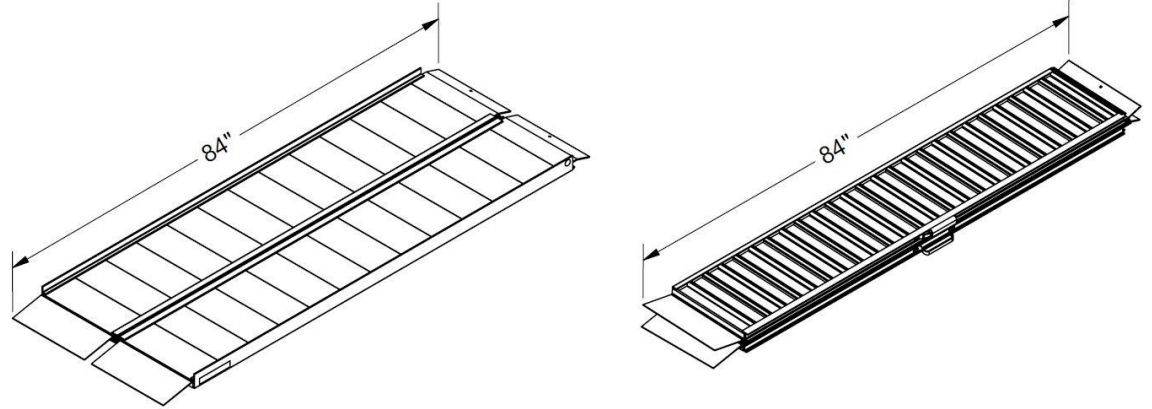
SUITCASE SF06





SUITCASE® Singlefold Ramp Technical Specifications

SUITCASE SF07



SUITCASE SF08

