



TR 1000 Shower Chair

*Hygiene Equipment
Designed for People*

Operating manual

Version 2021-01-01



Registered at Medical Products Agency, Sweden as a MDR Class 1 product according to MDR 2017/745.

TR reserves the right to make design changes and/or improvements without notice.



Always study this manual carefully before operating the Shower Chair.

The operator/user must always have access to the Operating manual.

The Shower Chair is intended for professional use only where the patient will be under supervision of trained personnel.

Operating instructions and recommended maintenance procedures are explained in the following pages.

If you have any questions regarding the operation or maintenance of your Shower Chair and cannot find the answer in this manual, please contact us.

The Shower Chair is designed for years of trouble-free operation, with proper use and maintenance.



Mandatory to read the manual before using the equipment



Table of contents

Manufacturer	Page 3
Introduction	Page 4
Unpacking	Page 5
Initialization/Calibration	Page 6
Intended use	Page 7
Safety instructions	Page 8
- General safety instructions	Page 8
- In case of accident	Page 10
Features and controls	Page 11
Product description	Page 12
- General product description TR 1000	Page 12
- Possible combination with other equipment	Page 13
Technical specification	Page 14
- General technical specifications	Page 14
- Measurements TR 1000 in mm	Page 15
- Measurements TR 3000 in inch	Page 16
User instructions	Page 17
- Height & Tilt adjustment TR 1000	Page 17
- Emergency stop	Page 18
- Charging instructions	Page 19
- Battery usage	Page 20
- Armrests	Page 21
- Castors	Page 22
- Patient handling	Page 23
- Patient handling – From wheelchair onto shower chair	Page 23
- Patient handling – Showering	Page 24
- Patient handling – Toileting	Page 25
Labels & symbols on the lift	Page 26
Routine maintenance	Page 28
- Before every use	Page 28
- Daily maintenance	Page 28
- Monthly maintenance	Page 28
- Annual maintenance	Page 39
- Maintenance every 3 years	Page 30
- Maintenance every 5 years	Page 30
Recycling	Page 31
Cleaning instructions	Page 32
Training record	Page 34
Maintenance record	Page 35



Manufacturer



TR Equipment AB
Rundelgatan 2
SE-573 35 Tranås
Sweden

Phone: +46 (0)140 38 50 60
www.trequipment.com
info@trequipment.se

Group subsidiaries:

USA

TR Group Inc.

Phone: +1 (800) 7526900

www.trequipment.com

information@trequipment.com

United Kingdom:

TR Equipment Ltd

Phone: +44 (0) 844 335 8386

www.trequipment.com

info@trequipment.co.uk

Germany:

TranspoRehamed GmbH

Phone: +49 (0) 212-645850-0

www.transporehamed.de

info@transporehamed.de



Introduction

Dear Customer,

Thank you for choosing one of our quality products. We hope you enjoy the TR1000 Shower Chair.

This manual shall, in conjunction with staff training, ensure that the operator/user is always using and/or operating the TR1000 correctly.

New users must be trained by qualified and experienced staff.

TR Equipment AB requires that each user has read and understands the entire operating manual and that they can apply the instructions as specified. This applies to anyone who was not present at the in-service training.

This instruction manual should generally be kept easily accessible for every user. Copying the whole manual is encouraged since its sole purpose is to improve the standard of training and safety.

Please order another copy from us if the instruction manual is lost or unusable, or if it has become illegible over time.

If you need further information, do not hesitate to contact TR Equipment AB or one of our qualified partners.



Mandatory to read the manual before using the equipment.



Make sure you have read, understand, and applied the information on the following pages before using the equipment.



Unpacking

TR1000 Shower chair is delivered on a wooden pallet surrounded by a wooden crate wrapped in plastic.



Start unpacking the TR1000 by cut and remove the plastic. Unscrew and remove the wooden crate from the pallet. **DO NOT** use any sharp tools that may scratch the Shower Chair.

Carefully lift off the wooden crate from the pallet. When lifted, do so briefly and use at least two people.

Carefully remove the TR1000 from the pallet.

See recycling instructions on page 31.



When moving the TR1000 from the pallet, two people are required.



Initialization/Calibration

TR 1000 from October 1, 2014.

An initialization/calibration shall be performed on the lifting columns:

- Before first use
- Maintenance
- After replacement of lifting column/columns.
- After replacement of the tilt actuator.

Before starting the initialization/calibration process, make sure that the Emergency button are released and not activated.

Initialization/Calibration:

- If the TR1000 is in the lowest position raise the chair by pressing the UP button on the hand control.
- Press the UP and the DOWN button on the hand control simultaneously. Keep the buttons pressed.
- After 8-10 seconds the lifting columns will start to lower the chair and the chair will be tilted backwards. Keep the buttons pressed during the whole process.
- When the TR1000 is in the lowest position and the chair is fully tilted backwards the initialization/calibration is finished and the TR1000 is ready to be used.





Intended use

TR1000 - Shower Chair

- The TR1000 is a battery-operated Shower Chair.
- The TR1000 is intended to be used indoors in all types of care facilities and private homes, including hygiene areas.
- The TR1000 is only intended to be used for short term use <60min when in contact with breached or compromised skin.
- The TR1000 is NOT intended to be used with patients that exceed a weight of 200kg / 440lb.

Typical situations where the TR1000 Shower Chair is used includes:

- Transporting the patient to and from a showering area
 - Showering and cleaning the patient
 - Toileting
 - Pedicure
-
- The resident must be able to sit straight up without support.
 - The patient is typically a person who is unable to take care of their own personal hygiene.
-
- The user is any adult person who is capable of reading and understands the operating manual and is qualified to care for dependent persons/patients.



Mandatory to read the Operating manual before using the shower chair.



Make sure you have read, understood, and applied the information on the following pages before using the shower chair.



Safety instructions

General Safety instructions

If you have questions regarding operation or maintenance of your TR1000 Shower Chair and cannot find the answer in this manual, please contact us!

- Before operating the TR1000, make sure that all transport packages and attachments are removed so that nothing can be pinched between sitting frames and surfaces.
- Test all functions on the TR1000 (raising, lowering, tilting, arm rests) before use.
- The resident must be positioned comfortably in the Shower Chair, with arm rests securely down folded, and safety belts shall be locked.
- Always physically check the water temperature before and during showering of the resident.
- The patient must be positioned comfortably on the stretcher mattress, with side rails securely locked.
- Make sure that all parts that comes in contact with the patient are intact and without sharp edges.
- Ensure that the Shower Chair can be moved, tilted, raised, or lowered safely to avoid any pinch injuries on the resident.
- Castor brakes must be **securely** locked on the Shower Chair before transferring a resident and while showering the resident.
- Operate the Shower Chair carefully when transporting patients through narrow corridors or over irregular uneven surfaces.



Safety instructions

General Safety instructions

- During cleaning of the TR1000, avoid skin or eye contact with detergent, which is highly caustic. If contact is made, rinse immediately with excess water. If irritation occurs, consult a Medical doctor. Always read and follow detergent supplier instructions.
- The battery supplied by TR Equipment is the only one approved for the Shower Chair.
- The battery charger supplied by TR Equipment is the only one approved for the battery on the Shower chair.
- The battery shall not be charged in wet or damp areas – Potential Shock hazard.
- It is recommended that the battery for the TR1000 Shower Chair are charged daily or whenever the Shower Chair is not in use. The battery cannot be overcharged.
- Make sure that all castors are clean, in place and free from damages.
- Check that all screws are tightened and free from damages.
- The Shower Chair must be inspected visually for sign of wear. The Shower Chair should not be used if defects are noted. Prompt service is required.



Mandatory to read the Operating manual before using the equipment.



Only qualified staff, who understand all operating and safety procedures may operate the Shower Chair.



Never leave the patient unattended.



NEVER use the TR1000 Shower Chair in any way that varies from the safety precautions and operating procedures detailed in this manual. The TR1000 Shower Chair must not be operated by anyone until the user has read and understands the instructions in this manual.



Safety instructions

In case of accident

Note:

In case of a serious incident when using the TR1000 Shower Chair, this should be reported to the manufacturer and to the local authorities where you are established.



TR Equipment AB
Rundelgatan 2
SE-573 35 Tranås
Sweden

www.trequipment.com

info@trequipment.se

Phone: +46 (0)140 38 50 60

Group subsidiaries:

USA

TR Group Inc.

Phone: +1 (800) 7526900

www.trequipment.com

information@trequipment.com

United Kingdom:

TR Equipment Ltd

Phone: +44 (0) 844 335 8386

www.trequipment.com

info@trequipment.co.uk

Germany:

TranspoRehamed GmbH

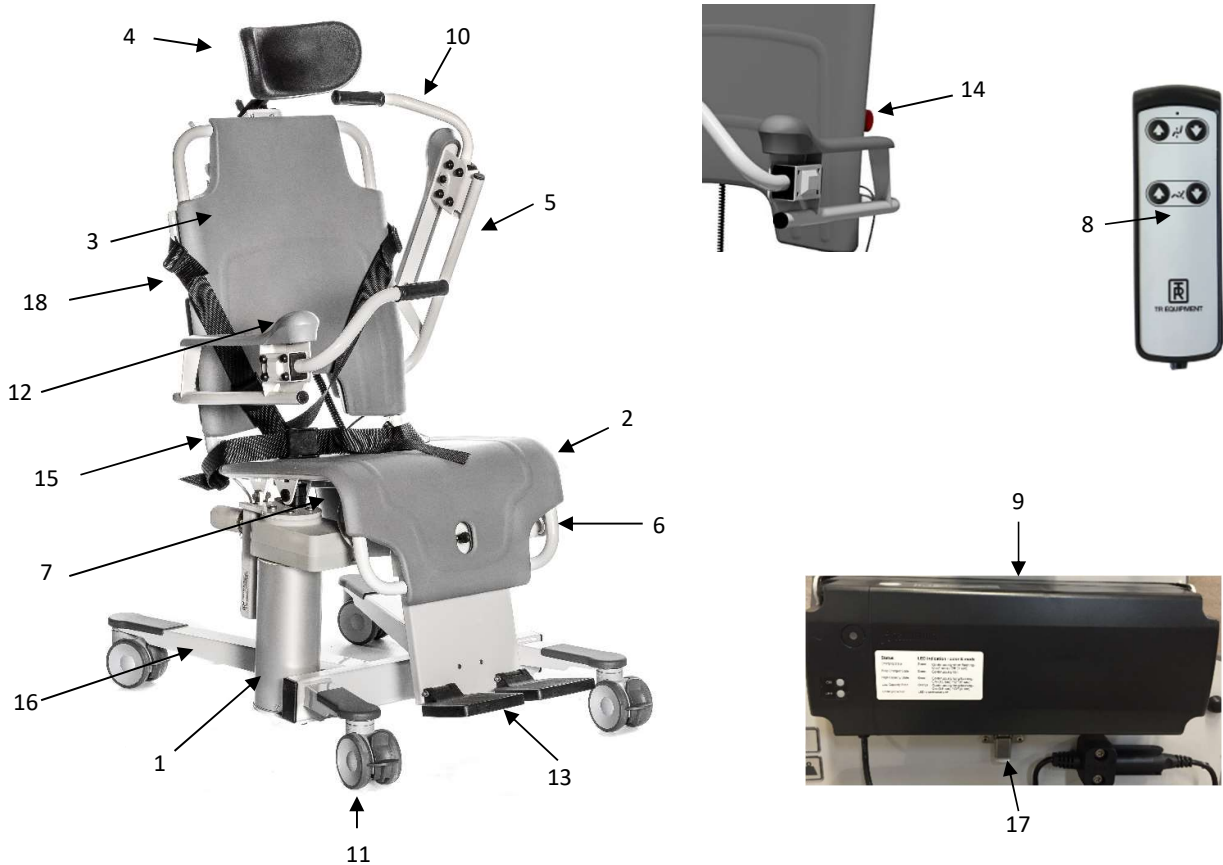
Phone: +49 (0) 212-645850-0

www.transporehamed.de

info@transporehamed.de



Features and controls



1	Lifting columns
2	Chair seat
3	Chair backrest
4	Chair headrest
5	Foldable armrests
6	Leg rest
7	Bedpan incl. Lid (option)
8	Hand control
9	Battery pack

10	Front closing arm rests (Option)
11	Castors with brake
12	Handgrip
13	Footrest (Option)
14	Emergency stop
15	Safety belt
16	Chassis base
17	Snap on/off buckle
18	Chest belt (option)



Product description

TR1000 – Shower Chair, battery operated

Height and tilt adjustable Shower Chair. As standard equipped with 4pcs Castors with brake, 2pcs Lifting columns, 1pcs Tilt actuator, 1pcs Hand control, 1pcs Battery pack, 1pcs Battery charger, 2pcs Foldable arm rests and 1pcs Safety belt.

TR1000

Part number: 0521000



TR1000

With front closing arm rests

Part number: 0521010



Options for TR1000:

Bedpan incl. lid
Extra removable battery
Battery wall bracket

Factory mounted option:

Foldable and height adjustable footrest
Straight steering kit
Chest belt
Colored front closing armrests
Spacer kit (53mm higher)



Product description

Possible equipment combinations	
TR1000	Shower panel TR2810





Technical specification

TR 1000 – Shower Chair

Maximum working load	200Kg / 440lbs
Control TR 1000	Hand control
Operating range (Seat)	535 - 935mm / 21" - 37"
Operating range (Seat, Incl. Spacer kit)	588 - 988mm / 23" - 39"
Lifting stroke	400mm / 16"
Seat, Back rest, Armrest	Foamed PUR (Poly urethane)
Structure	Powder coated and Zink plated steel and stainless steel
Protection class	IP X5
Castors	Twin castors Ø100mm

TR 1000 – Dimensions and weights

Length	860mm / 63"
Height (Head rest)	1350 - 1750mm / 53" - 69"
Height (Head rest, Incl. Spacer kit)	1403 - 1803mm / 55" - 71"
Width	700mm / 27,5"
Weight TR 1000 (excl. options)	75kg / 165lbs

TR 1000 - Voltage

Supply voltage	24 VDC, 4Ah (Lithium-iron, rechargeable)
Battery charger input	100-240VAC, 50/60Hz
Battery charger out put	24VDC

Technical life span

Technical life span	10 years if the product is serviced and maintained according to instructions in this manual.
---------------------	--

Transport and storage

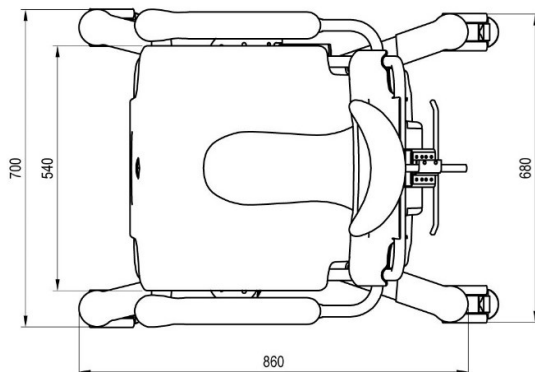
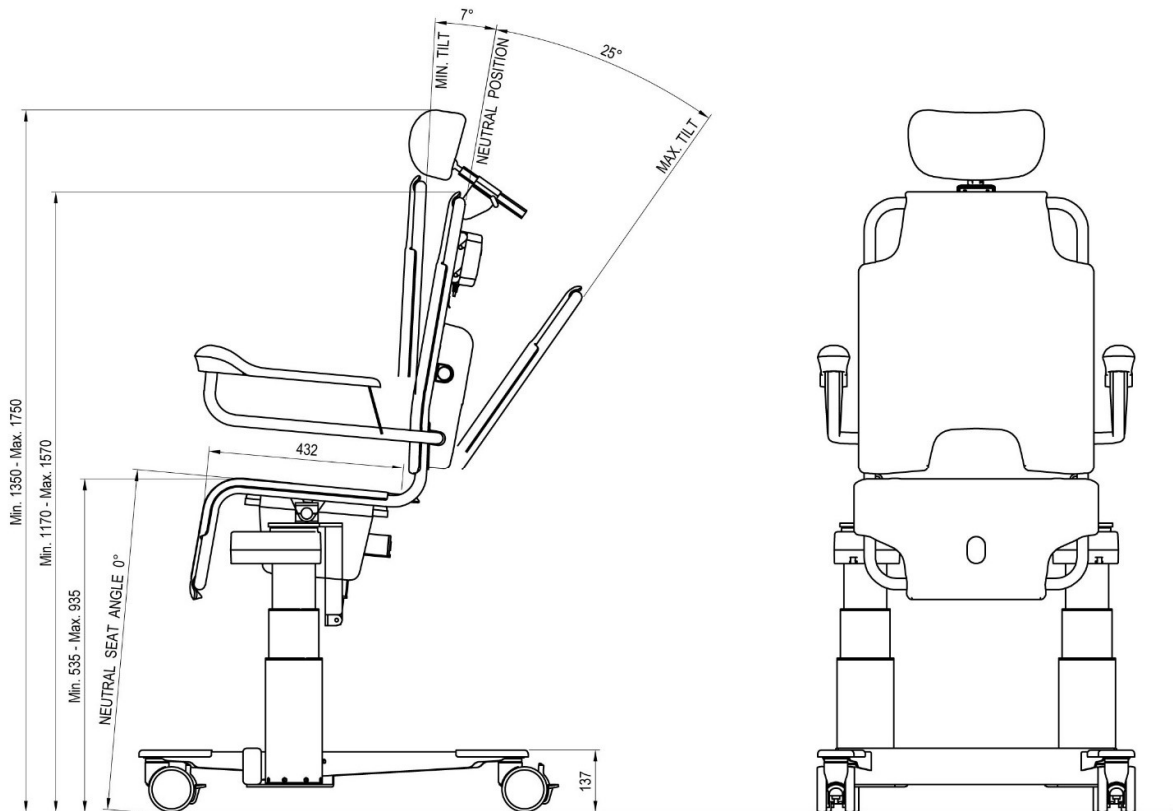
Ambient temperature	-20°C - +70°C -4°F - +158°F
---------------------	--------------------------------



Technical specification

TR 1000 – Shower Chair

Dimensions in mm

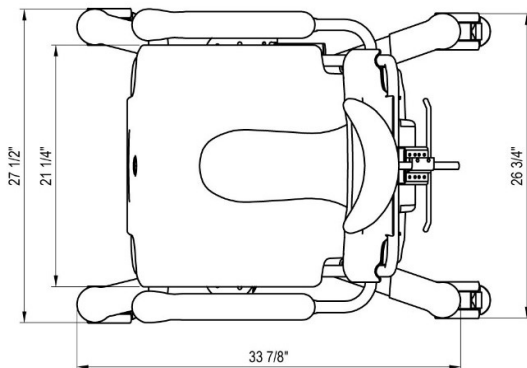
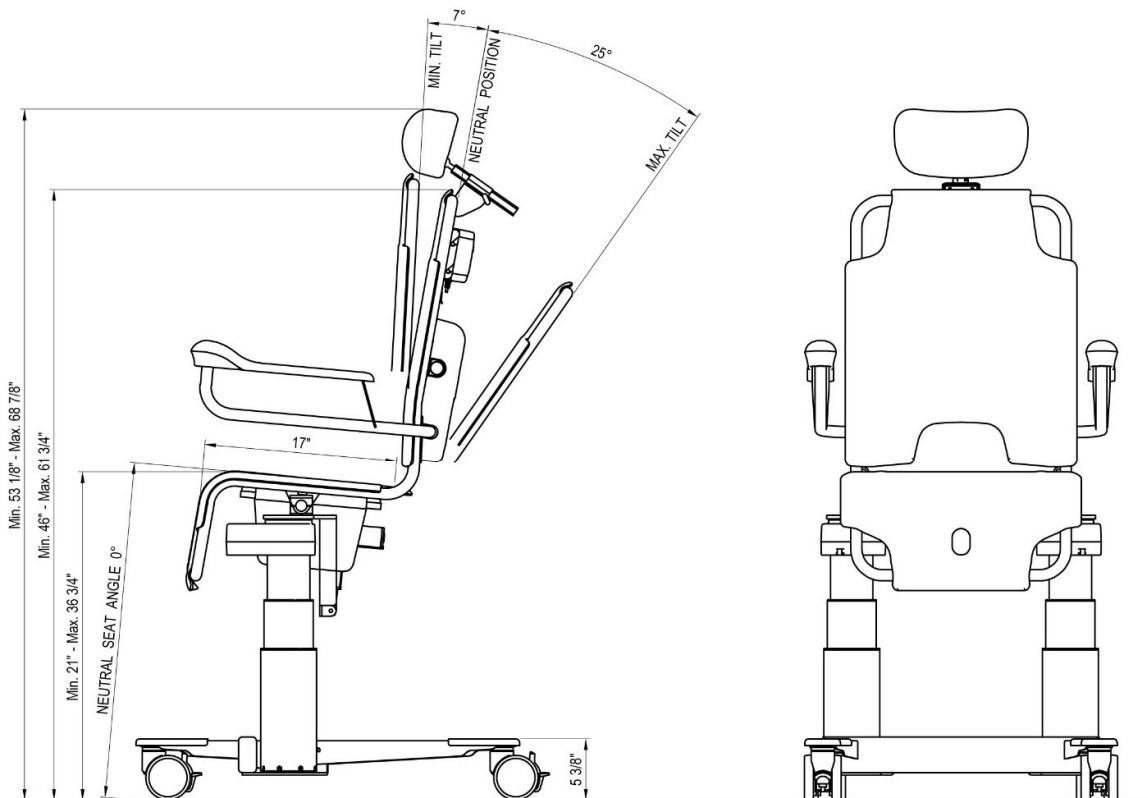




Technical specification

TR 1000 – Shower Chair

Dimensions in inch





User instructions

TR 1000 – Height & tilt adjustment

Always secure the resident with safety belt.

Height adjustment

UP & DOWN



Tilt adjustment

The tilt will stop in a neutral position.

The chair can be tilted forward to ease transfer using the same button/symbol.

This shall always be done when the chair is in the lowest position.



Maximum working load = 200kg / 440lbs



User instructions

TR1000 – Emergency stop

In case of an unexpected incident the Emergency stop can be activated.

- Push the Red button to activate the Emergency stop. The lifting columns and tilt actuator will stop immediately.
- Turn the Red button clockwise to release the Emergency stop.





User instructions

TR1000 - Charging instructions:

The battery charger is intended to only be used indoors and in dry areas. The battery charger shall not be installed in bathrooms or damp areas.

It is recommended to check battery status every morning before use (see LED indication - color & mode). The cable connector of the battery shall always be unplugged before the battery is removed from the TR1000.

Status	LED indicator - colour & mode
Fully charged	Green Continuously On
Charging	Green Continuously short flashing - On (1 sec)/Off (1 sec)
High capacity	Green Continuously long flashing - On (0,5 sec)/Off (4 sec)
Low capacity	Orange Continuously long flashing - On (0,5 sec)/Off (4 sec)
Under protection	OFF
Charging time From empty to fully charged	8 Hours The battery will not be overcharged

When you buy a TR1000 with a removable battery, our recommendation is to purchase an extra battery. The extra removable battery shall immediately be put on charge to make the usage of the TR1000 and the charging procedure more effective.

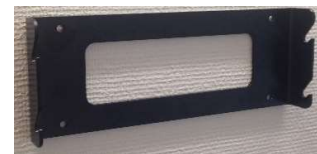
Batteries in storage must be put on charge to maintain the capacity of the battery.

The battery shall be charged in a dry area easy to locate.

The optional wall bracket shall be mounted in a convenient and reachable height. Always connect the battery charger to the battery before you connect the charger to the mains.



Removable and rechargeable Lithium-Iron, battery 24V, 4Ah



Wall bracket, part.no: 3232622



User instructions

TR1000 – Battery usage recommendations

- Before the first use, charge the battery for at least 24 hours. If you have purchased an extra battery put that battery on charge when the first battery starts being used.
- If the TR1000 is used daily, charge the battery for at least 8 hours.
- If the TR1000 is used intermittently during a week, charge the battery 1-2 times per week, for at least 8 hours each time.
- Ideally if a battery is not in use, it should always be plugged into the charger. The battery pack cannot be overcharged.
- If the TR1000 is only used occasionally the battery shall be put on charge after each use and for at least 24 hours. The battery cannot be overcharged.
- If the shower chair shall be stored put the battery on charge until it will be used again or charge the battery once per month and for at least 24 hours each time.
- Batteries in storage not being charged every month will eventually lose their ability to hold a charge.



Press the ON button for 1-2 seconds to start the battery

Press the OFF button for 3-4 seconds to turn it off.

When you disconnect the battery and battery charger from the mains, a beep will be heard, and an Orange light will flash for a couple of seconds.

You can only start the battery when it's connected to the control box connector on the TR1000.



User instructions

TR1000 - Armrests

The armrests are easily raised to an upraised position when transferring the resident onto and off the chair. Pull the armrest(s) straight up to a vertical position.

If the TR1000 is equipped with front closing armrests (factory mounted) raise the front closing armrests to a vertical position before raising the armrest(s).

To lower and secure the armrest(s) and the front closing armrest(s) do it in a reverse way as stated above (lower and fold).





User instructions

TR1000 - Castors

The TR1000 is equipped with 4pcs castors with brake.



Castor brakes shall always be activated when:

- transferring a resident onto and off the chair.
- raising or lowering the chair.
- tilting the chair.
- Showering a resident.

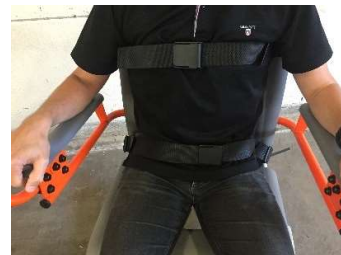
- Lock the castors by pressing the Grey pedal downwards until a click is heard.
- Release the brake by push the Grey pedal upwards.



User instructions

Patient handling - Transfer from Wheelchair onto the shower chair

- Lower the TR1000 to its lowest position, using the hand control.
- Lock all castors with brake.
- Tilt the chair forward, using the hand control.
- Raise the foldable armrest on the transfer side.
- Position the wheelchair side to side with the shower chair.
- Let the resident grasp the unfolded armrest and transfer the resident onto the shower chair. Care giver must always support the resident during transfer.
- Secure the resident with the safety belts.
- Lower the raised armrest and fold the front closing armrest.
- Remove the wheelchair. Tilt and raise the TR1000 to a Convenient transfer height for both resident and care giver.
- Unlock the castor brakes and transport the resident to the hygiene area.
- After showering, transport the resident to the wheelchair. Reverse the procedures above.



Warning

Never leave patient unattended at any time.



Warning

Always check the water temperature by hand before showering the patient.



Important

Castor brakes must always be activated during transfer of the resident onto and off the TR1000.



User instructions

Patient handling – Showering

The resident must always be securely fastened with safety belt(s).

Showering the resident:

- Lock the castor brakes
- Use the hand control to raise the TR1000 to a convenient height for both resident and caregiver.
- Use the hand control to tilt/recline the TR1000 to a Convenient angle for both resident and caregiver.
- Shower and wash the resident in this position.
- After showering, dry the resident with a towel.
- Before transporting the resident from the hygiene area Use the hand control and adjust the tilt angle and the height to a convenient transport position.
- Clean and dry the TR1000 after every use.



Warning

Never leave patient unattended at any time.



Warning

Always check the water temperature by hand before showering the patient.



User instructions

Patient handling – Toileting

The TR1000 can be used over both floor- and wall mounted toilets.

- Place the TR1000 with resident over the toilet.
- Use the hand control and adjust the TR1000toileting height
To a suitable toileting height.

- Instead of toilet it is possible to use a bedpan (option).
Attach the bedpan onto the TR1000 before transferring the
Resident to avoid pinching.



Warning








Never leave patient unattended at any time.



Labels and symbols




Product label



 TR EQUIPMENT	TR Equipment logotype
	Medical equipment according to MDR 2017/745
	CE marking
	Factory address
	Manufacturing date
	Part number
	Serial number



Labels and symbols

	<p>Mandatory to read the operating manual before use</p>												
	<p>Maximum working load Patient weight shall not exceed 200kg</p>												
<table border="1"> <thead> <tr> <th>Status</th> <th>LED indication - color & mode</th> </tr> </thead> <tbody> <tr> <td>Charging State</td> <td>Green Continuously short flashing- On (1 sec) / Off (1 sec)</td> </tr> <tr> <td>Fully Charged State</td> <td>Green Continuously On</td> </tr> <tr> <td>High Capacity State</td> <td>Green Continuously long flashing- On (0.5 sec) / Off (4 sec)</td> </tr> <tr> <td>Low Capacity State</td> <td>Orange Continuously long flashing- On (0.5 sec) / Off (4 sec)</td> </tr> <tr> <td>Under protection</td> <td>LED is continuously off</td> </tr> </tbody> </table>	Status	LED indication - color & mode	Charging State	Green Continuously short flashing- On (1 sec) / Off (1 sec)	Fully Charged State	Green Continuously On	High Capacity State	Green Continuously long flashing- On (0.5 sec) / Off (4 sec)	Low Capacity State	Orange Continuously long flashing- On (0.5 sec) / Off (4 sec)	Under protection	LED is continuously off	<p>Battery label. Charging information.</p>
Status	LED indication - color & mode												
Charging State	Green Continuously short flashing- On (1 sec) / Off (1 sec)												
Fully Charged State	Green Continuously On												
High Capacity State	Green Continuously long flashing- On (0.5 sec) / Off (4 sec)												
Low Capacity State	Orange Continuously long flashing- On (0.5 sec) / Off (4 sec)												
Under protection	LED is continuously off												
	<p>Symbol on battery charger: Class II, double insulated</p>												



Routine maintenance

The recommended frequency of these maintenance procedures will depend on how often the equipment is used. It is good practice to establish these procedures and then adjust the frequency as your conditions indicate.

Before every use

Visual inspect the TR 1000 Shower chair:

- Make sure that it stands securely on the floor.
- Make sure that it is possible to raise and lower the shower chair.
- Make sure that there are no damages on the Shower chair that might hurt the patient.

Daily maintenance:

- Clean the shower trolley according to the cleaning instructions. See table of contents, “Cleaning instructions”.
- Charge the battery every day or whenever the shower chair is not in use.
- If the lifting columns are exposed to faeces or other aggressive dirt, immediately clean the lifting columns before raising and lowering the shower chair.

Monthly maintenance:

- Make sure that all screw and fastenings are tightened properly.
It is important that all screws and fastenings are checked and tightened if needed – including those not easily visible.
- Check the armrests to ensure they are in good condition and that all fasteners are in place and fully functioning.
- Check the castors and make sure they are clean and that the castor brakes are fully functioning.
- Check the tilt function and make sure that it is fully functioning.
- Check the lifting columns and make sure they are fully functioning.
- If necessary, Initialize/calibrate the TR1000.



Important:

The Shower chair should immediately be taken out of operation if defects or irregularities are noted. Prompt service is required.



Warranty

Maintenance and/or repairs may only be carried out by the manufacturer or qualified staff authorized by the manufacturer, otherwise warranty expires immediately.



Routine maintenance

Annual maintenance

It is recommended to consult an authorized service/maintenance technician to perform an annual inspection Of the Shower Chair.

Repeat **Before every use, Daily maintenance, and Monthly maintenance.**

- Initialize/Calibrate the TR1000.
- Check that the hand control is OK and without damages.
- Check that all visible cables are Ok and without damages.
- Check that the emergency stop is functioning.
- Check that the head rest is OK, without damages and fully functioning.
- Check that all surfaces on the seat is Ok and without damages.
- Check that the armrests are OK, without damages and fully functioning.
- Remove the plastic cover on the backrest and clean inside if necessary.



Important:

The Shower chair should immediately be taken out of operation if defects or irregularities are noted. Prompt service is required.



Warranty

Maintenance and/or repairs may only be carried out by the manufacturer or qualified staff authorized by the manufacturer, otherwise warranty expires immediately.



Routine maintenance

Maintenance recommendations for Maintenance every 3 years, Maintenance every 5 years, and Maintenance every 10 years are based on Home Care use and Public use from SS-ISO 17966:2016.

If your TR 1000 will be used in an institution, contact TR Equipment for a customized maintenance schedule.

Maintenance Every 3 years

- Repeat **Before every use, Daily-, Monthly- and Annual maintenance.**

Replace following parts:

- Battery Part.no: 200110
- Safety belts (2-parts) Part.no: 7418320-02 and -03

Maintenance Every 5 years

- Repeat **Before every use, Daily-, Monthly- and Annual maintenance.**
- Inspect the quality of the seat and backrest

Replace following parts:

- Castors with brake Part.no: 851760
- Replace hand control Part.no: 851899

If the TR 1000 is ever day, we recommend replacement of following parts:

- Lifting columns Part.no: 851895-02
- Tilt actuator Part.no: 851896



Important:

The Shower chair should immediately be taken out of operation if defects or irregularities are noted. Prompt service is required.



Warranty

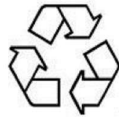
Maintenance and/or repairs may only be carried out by the manufacturer or qualified staff authorized by the manufacturer, otherwise warranty expires immediately.



Disposal / Recycling

Recycling of the equipment

- PUR Seat and backrest shall be recycled as flammable materials.
- Metal parts shall be recycled in Metal recycling
- Grey cover and fenders are produced in ABS plastic and shall be recycled as flammable materials.
- Castors are produced in Polyurethane and shall be recycled as flammable materials.
- Bolts shall be recycled as metal parts.
- Chassis parts and fasteners parts shall be recycled as Metal materials.
- Lifting columns, Hand control, control box, junction box and circuit boards shall be recycled as electric and electronic materials.



Important

When replacing batteries, deposit the batteries in accordance with national regulations.



Important

When replacing electrical and electronical parts/components, deposit the parts/components in accordance with national regulations.

Recycling of packaging materials.

- Wrapping materials is plastic and a wooden pallet.
- Plastic shall be recycled as plastic materials and the wooden pallet shall be recycled as wooden materials.



Cleaning instructions

- Select cleaning interval according to the degree of contamination.
- Contaminations should be removed as soon as possible to prevent material damage.
- Do not clean material with tools which might damage surfaces. Use a towel, sponge, or a soft brush.
- Store the shower chair in dry condition only.
- Use natural, slightly alkaline detergent containing no solvents.
- Do not use products such as trichlorethylene that will damage the surface on seat and backrest.
- Do not use iodine based, disinfectants, this can discolor the surface on seat and backrest.
- Do not use water hotter than 45°C / 113°F
- Avoid excessive friction and abrasive detergents when cleaning as this may damage the surfaces of the shower chair.

Cleaning process for PUR seat and backrest.

- Lightly brush off loose dirt particles first, then rinse material with clear water.
- Spray on the cleaning product in indicated concentration or apply with a clean towel. Dose the amount according to degree of contamination.
- Allow the cleaning product to act for 2-5 minutes and wipe off with a towel.
- Rinse off dirt and cleaning product residues thoroughly with cold or lukewarm water to prevent material discolorations.
- Store the shower trolley only if it is clean and completely dry.



Cleaning instructions

General guidelines for cleaning detergent

- Nonabrasive type of detergent
- Less than 5 Wt% chloride content
- Less than 3 Wt% alcohol content



Warning

Never use solvent based or strong alkaline cleaning liquids, which can damage or stain the surfaces.



Warning

Do not let the shower chair dry in sunlight or close to a heater. This will cause discoloration. Avoid damage from overheating.



Warning

Wipe the shower chair dry to prevent water dripping on the floor.



Important

The user/operator is responsible selecting the correct cleaning liquid/detergent and additives according to local regulations and safety standards. Please read the cleaning liquid/detergent supplier's instruction manual and find out whether the product is suitable for use with this product.

