

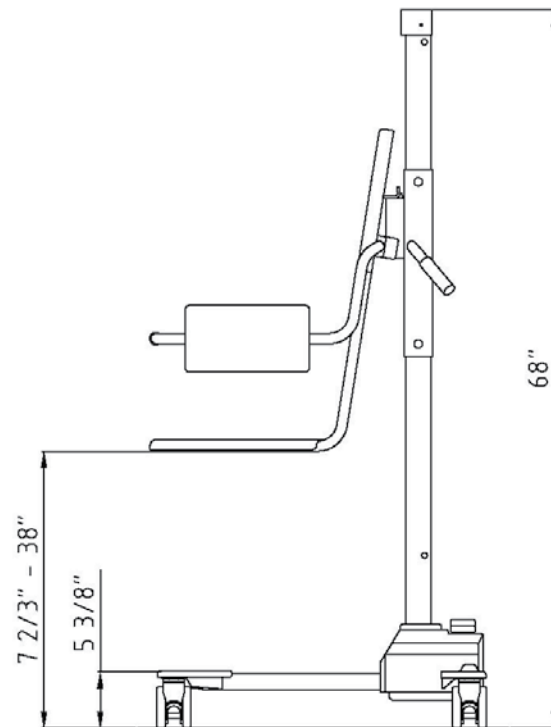
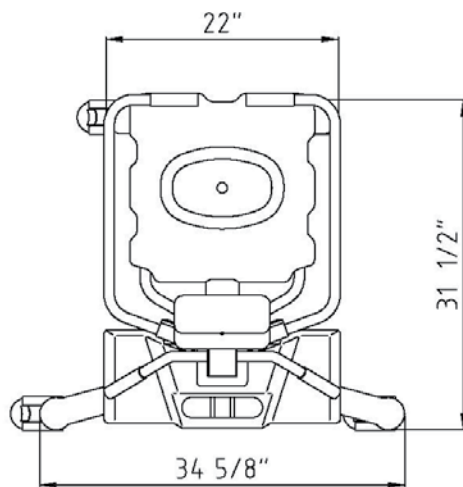
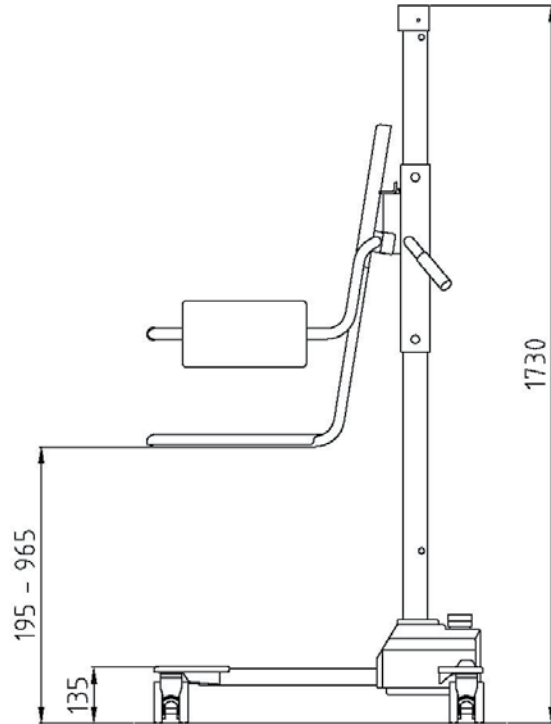
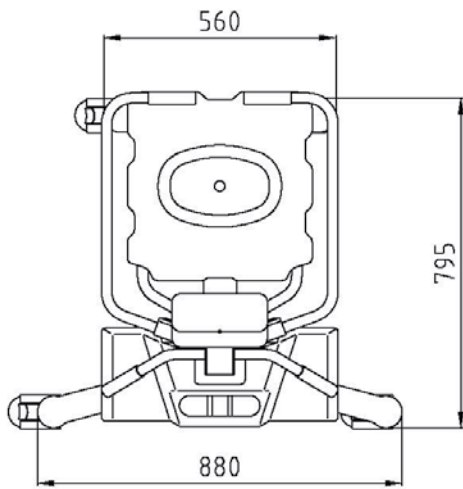


TR 9650

Mobile patient chairlift

Hygiene Equipment
Designed for People

Product measurements



TR EQUIPMENT