

TR 2000 Model 2021

Hydraulic Shower Trolleys

Hygiene Equipment
Designed for People

Multi-tasking shower trolley with endless application possibilities

The TR 2000 hydraulic foot operated shower trolley (max patient weight 200 kg) is unique with its side mounted column allowing the trolley stretcher to overlap the bed further for a safe and easy patient transfer.

The trolley drains at both ends allowing the person to be positioned in either direction, an invaluable feature for the caregiver.

The TR 2000 comes in four sizes: three models with width 640 mm and lengths 1600 mm, 1900 mm and 2100 mm and one wider model 1950 mm x 695 mm if there is a need for an increased patient working area.

The TR 2000 height adjustable Shower Trolley is a great solution to prevent back injuries and to minimize static load and offers a safe and ergonomic working environment for the caregiver.

CE



Registered at Medical Products Agency, Sweden, as a MD Class 1 product, MDR 2017/745.

TR reserves the right to make design changes and/or improvements without notice.



Specifications

Length: (4 models)	Standard = 1900 mm, Short = 1600 mm, Long= 2100 mm Wide = 1950 mm
Width:	Standard, Short, Long = 640 mm. Wide = 695 mm
Height:	Min.600 mm, Max. 900 mm
Max Patient weight:	200 kg
Chassis:/Frames:	Powder coated stainless steel
Floor clearance:	160 mm (height of the base allows mobile sling lift transfers)
Castors:	4 Braked twin castors. 100 mm as standard (Straight Steering castors available as an option)
Control:	Foot operated control for height and manual tilt adjustment on both sides
Mattress, pillow:	Blue, both in flame retardant material, Mattress with Dual drainage
Tilt:	Manual tilt adjustment on both sides, +/- 4 degrees

Features

- Quiet and smooth height/tilt adjustable motion.
- Designed for easy cleaning and ease in mobility.
- The mattress is easily removable.
- Side mounted column for improved patient transfers.
- Foldable side rails for efficient and safe patient transfer and transport.
- Maximum patient weight of 200 kg.
- 4 different models of TR2000 available to find most suitable size for resident and care environments.
- Dual drainage offers easy change of designated head end.
- The side rails can be pressed together travelling through narrow doorways.
- Floor clearance at 160 mm to enable floor lift transfers.
- The stretcher can easily be tilted in both directions to the "Trendelenburg" position, to alleviate person in shock.
- The chassis and sub-frames are made of powder coated stainless steel.
- The stretcher has rubber bumper wheels on all four corners to protect walls and doorways.

- Proven choice of durable high quality components, guarantees a low cost of ownership.
- All models come with mattress, head pillow, 4 braked castors and 1 m flexible drainage hose with hose holder as standard.

Accessories/Options

- Backrest wedge pillow, 15°. Blue, grey or yellow.
Backrest wedge pillow, 30°. Grey (TR 2000 W)
- All models can be delivered with grey or yellow head pillow instead of blue (standard)
- Fasteners/straps for attachment on mattresses to siderails.
- Longer drainage hose 2,5 m, instead of 1 m as standard.
- Straight steering castors (standard trolley comes with 4 braked castors)

Models

0540010	TR 2000	Standard	1900 x 640mm
0540015	TR 2000 S	Short	1600 x 640 mm
0540016	TR 2000 L	Long	2100 x 640 mm
0540017	TR 2000 W	Wide	1950 x 695 mm



Foot control



Comes with four 100 mm braked twin castors as standard.
Straight steering option available.

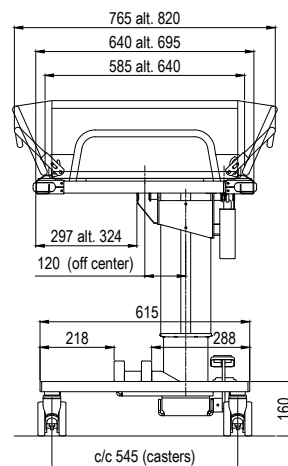
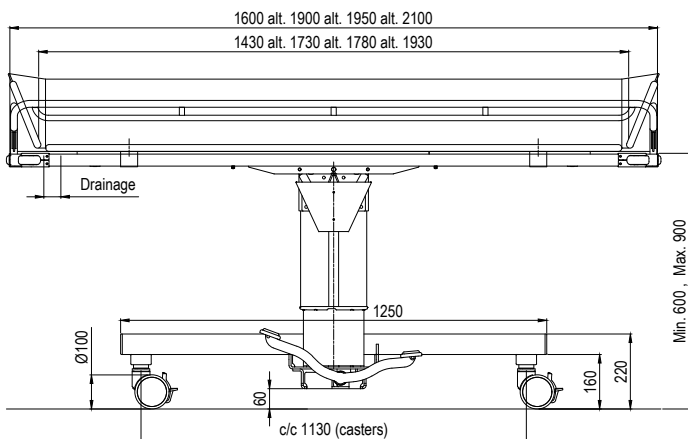


Side rail on bed side fold to horizontal position. Side rail on caregiver side fold all the way down for easier access to patient.



Bumper wheel protection in all four corners as standard.

Dimensions (mm)



TR EQUIPMENT