

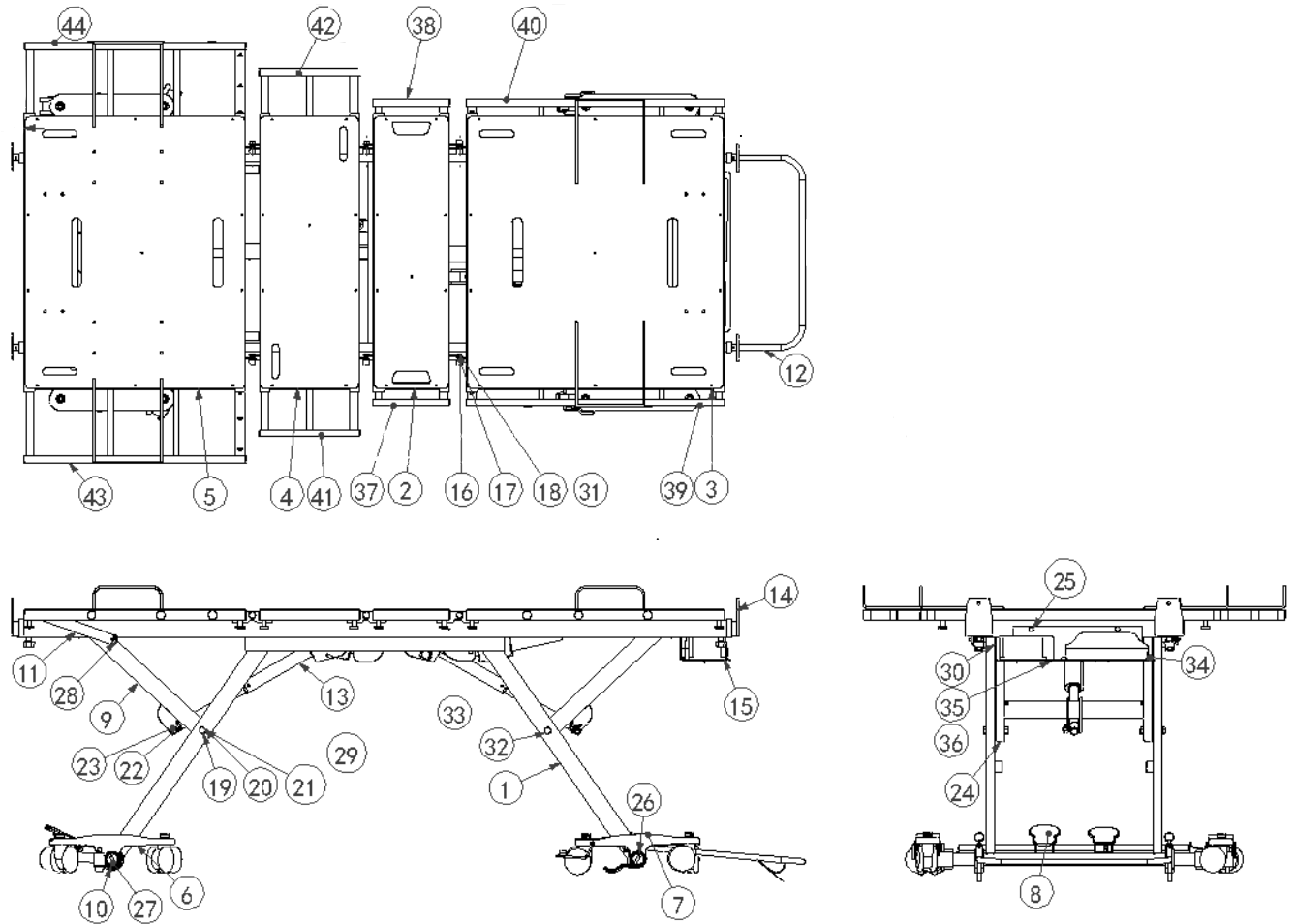


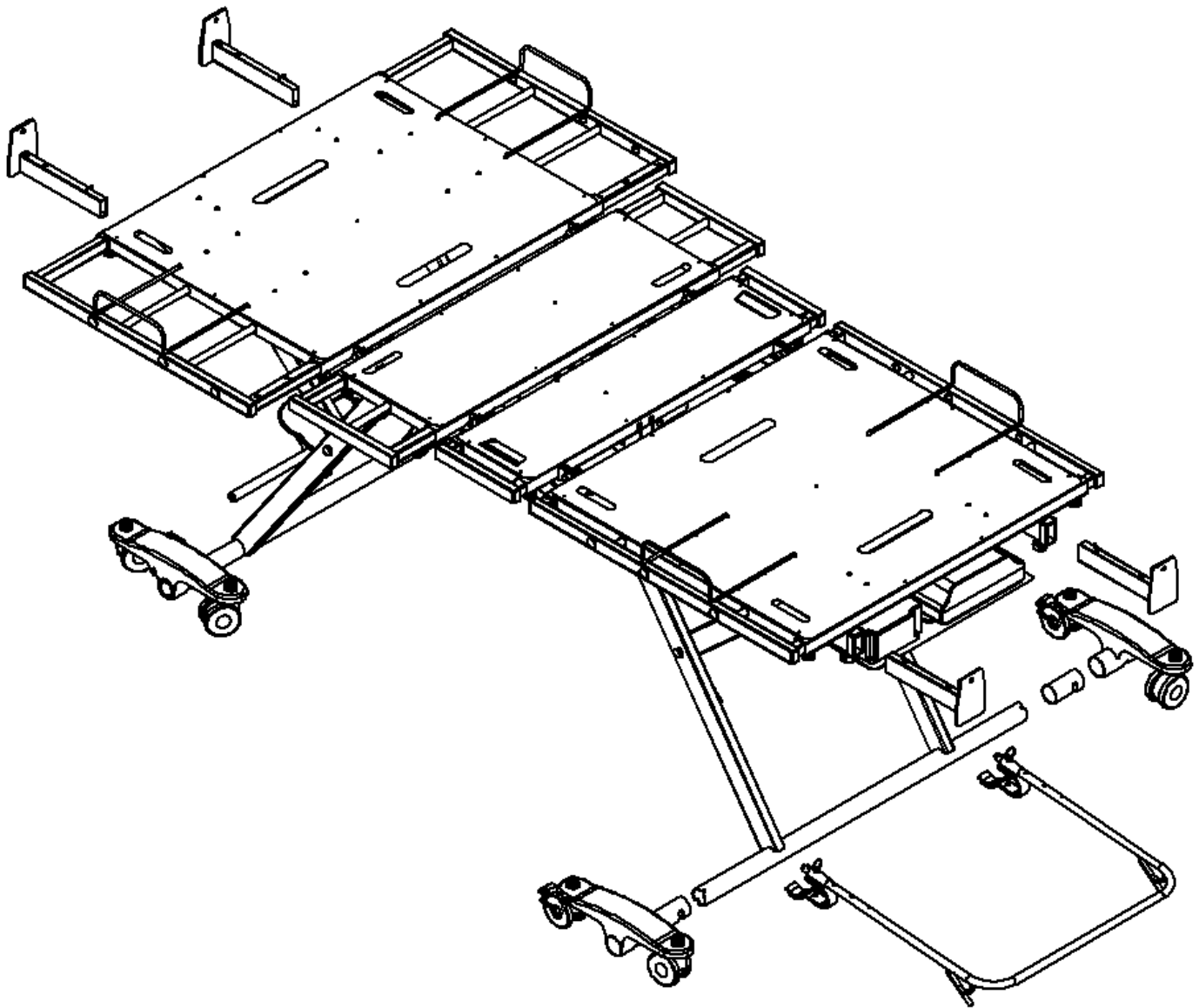
INFINITY

Parts Diagram

54000- INFINITY Long-Term Care Low Profile Bed

Product drawing





Code	Component				
1	Support leg	13	Electronics assembly	25	Hex bolt
2	Lower bed frame	14	Board bracket	26	Round tube cap
3	Front bed deck	15	Control box holding plate	27	Socket screw
4	Mid rear bed deck	16	Hex bolt	28	Washer
5	Rear bed deck	17	Nyloc nut	29	Washer
6	Caster leg - front	18	Nut cap	30	Hex bolt
7	Caster leg - rear	19	Hex bolt	31	Washer
8	Central brake assembly	20	Nyloc nut	32	Flip axle
9	Support arm	21	Nut cap	33	Flip axle
10	Tube cap 38	22	Cotter pin	34	Flat head phillips screw
11	Heel extender	23	Clevis pin	35	Countersunk Philip screw
12	Bumper bar	24	Tube cap	36	Nyloc nut

Code	Component				
37	Mid front expansion piece - left				
38	Mid front expansion piece - right				
39	Front expansion piece - left				
40	Front expansion piece - right				
41	Mid rear expansion piece - left				
42	Mid rear expansion piece - right				
43	Rear expansion piece - left				
44	Rear expansion piece - right				