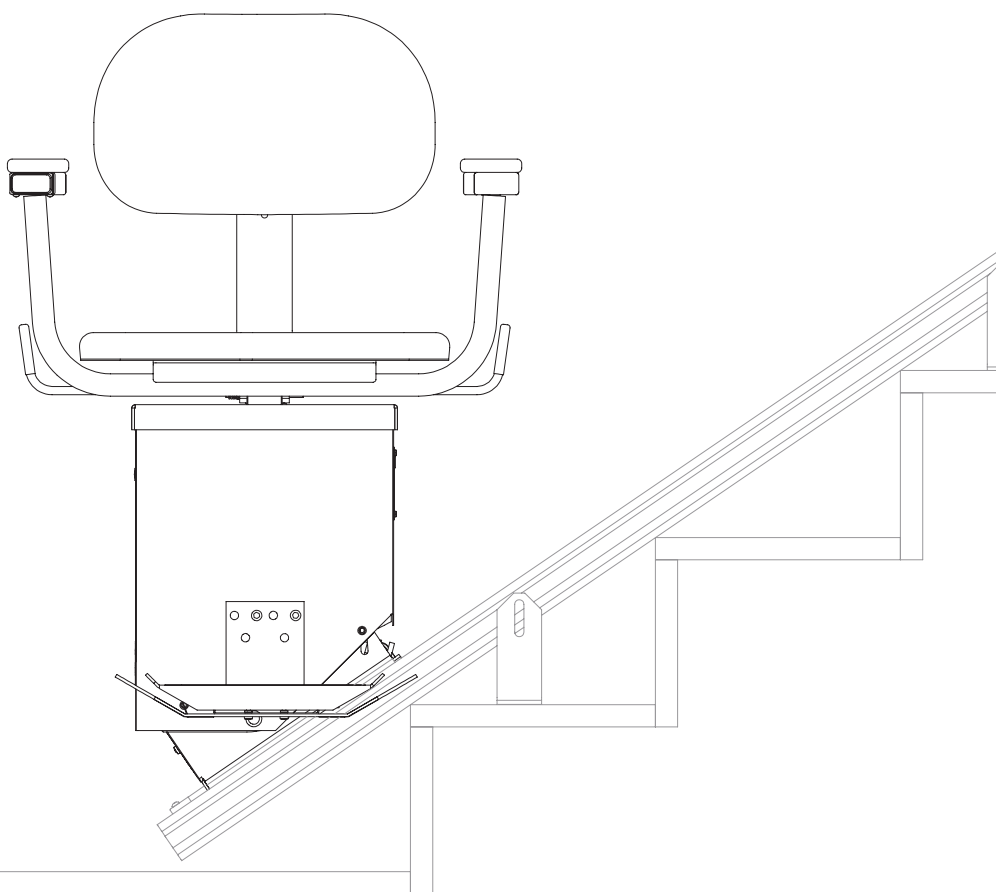


SUMMIT

OWNER'S MANUAL



SL350 AC
SL350 OD

Congratulations

You have purchased the most trouble free stairway lift on the market today. It is our hope this lift will allow you the independence you desire in your day to day life. Because of the trust you have placed in us, we wanted to take this moment to say thank you.

PURCHASE INFORMATION

Date Purchased: _____

Company: _____

Dealer Name: _____

Address: _____

Phone: _____

Email: _____

Lift Serial Number: _____

Indications for Use:

The Summit Stair Lift is a transport system, also commonly known as a stair-way chairlift, or stairlift. It is a motorized device intended to assist transfers of a single mobility impaired person up or down a flight of stairs.

Table of Contents

Using your Stairway Lift.....4
Maintenance.....5
Warranty.....6
Safety.....7

NOTICE

It is important this entire manual be read and understood before attempting to operate this lift. If there is anything in this manual you do not understand clearly, contact your dealer for clarification before you operate this lift, or call us toll free at 866-378-6648 before you operate this lift.

Using your Stairway Lift

This lift will provide you years of service when used correctly. Make sure you understand each of the features listed below prior to using your stairway lift.

Operating the Lift

Before you attempt to use your Summit Stairway Lift, ask your dealer to demonstrate the features and operation of the lift. The dealer should show you how to use all of the following items:

Power Indicator Light - AC powered units - The small green light at the top of the track indicates power is on to the unit. If it is not lit, the unit will not run. This is generally the result of a blown circuit breaker. The circuit breaker is located under the light and is resettable.

Charger Light - Battery powered units - This small light is located on the charger gives you a constant picture of the charger's operation. A green light indicates the batteries are completely charged. A reddish/orange light indicates the charger is charging the batteries. Should there be no light - or the light is continually flashing, contact your dealer.

Unit Control Switch - This is a rocker switch located on the front of the arm rest. It must be pushed and held during the entire travel of the lift. Pushing one side moves the lift up, the other side moves the lift down. The lift will automatically stop when it reaches the end of the track or anytime you release the control.

Swivel Seat - The seat swivels at the top and bottom landings to facilitate getting on and off the lift. To swivel the seat, pull up on the handle on either side of the seat and use your body to turn the seat in the direction desired. *Make sure the seat locks before attempting to mount or dismount the lift. Returning the seat to its forward, locked position before operating the lift is very important. A safety switch under the seat prevents the lift from moving unless the seat is forward and locked in place.*

Seat Belt - A seat belt is provided to keep you firmly in the chair during the travel of the lift. *Never operate the lift until the seatbelt is fastened securely around your waist.*

Obstructions - Always check the stairway and track to make sure there are no obstructions before traveling up or down the stairs. *Never operate the lift in anything or anyone is on the stairway.* The footrest is equipped with a sensor to stop the lift if it should strike anything. If this happens, push the unit control the opposite direction to move away from the obstruction.

Landing Controls - A remote control is provided at the top and bottom of the stairs. Pressing the control will bring the lift to you. The lift will stop automatically when it reaches the end of the track. It will also stop if you release the control.

Maintaining your Lift

Keeping your Stairway Lift Trouble Free and Safe

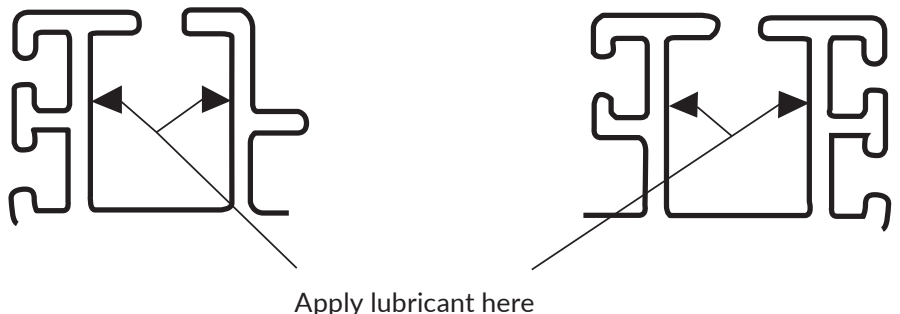
- Keep the track and unit clean & free from dust and dirt.
- Make sure the stairs & track are free from obstructions.
- Do not attempt to service or work on the lift yourself without consulting your dealer first.
- Do not carry children or pets on your lap while riding the lift. It is intended for use by one person at a time.
- Call your dealer if you have any questions or concerns.
- Make sure the outlet being used provides 110 volts and is grounded properly.
- Do not allow children to play on the lift.
- Never stand up while on the lift or attempt to operate the lift while standing.
- Always make sure the swivel is in the locked position before mounting or dismounting the lift.

Cleaning your Stairway Lift

- Unplug the lift prior to cleaning any portion of the lift.
- At least twice a year, use a general household cleaner to clean any portion of the track and unit.
- Use a general upholstery cleaner to clean the seat cushions, arm rests and seat back.

IMPORTANT

Track Lubrication: Every 2-3 months, wipe the inside of the track channels. Apply a thin coat of a Teflon based lubricant to the vertical surfaces of the track channel where the chassis wheels roll. Do not over apply the lubricant as it will run off the track. You may want to cover surrounding surfaces to protect it against any spillage.



WARRANTY



SL350 – 3-YEAR WARRANTY CERTIFICATE

Products Covered: SL350AC, SL350OD

PLEASE FILL OUT ALL FIELDS AND RETURN WITHIN TEN (10) DAYS OF PRODUCT INSTALLATION.

Mail completed form to Harmar, 2075 47th Street, Sarasota, FL 34234.

Harmar warrants to the original purchaser of a SL350 Stairway Lift manufactured by us to be free from defects in material, mechanical and electrical components (parts) for a period of three (3) years, provided that the products have been installed, maintained and operated properly by an Authorized Harmar Distributor or Certified Harmar Installer.

EXCEPTIONS TO THIS LIMITED WARRANTY ARE: PLEASE READ CAREFULLY

- Damage resulting from improper installation or operation
- Negligence, alterations, abuse or misuse of the equipment
- Fire, flood, acts of God
- Torn or dirty upholstery
- Shipping damage
- Parts used that are not approved by Harmar Mobility, LLC.
- Labor fees for installation work, repair or service calls are not covered

This warranty starts on the date of initial product installation (not to exceed 180 days from the date of manufacture), provided the warranty certificate is completely filled out and returned to Harmar within ten (10) days of installation. Harmar and its dealers shall not be liable for any consequential, special or incidental damages arising out of the purchase or use of the unit or resulting from the breach of this Limited Warranty, or any implied warranty. The limit of liability of Harmar and its dealer hereunder shall be the unit's purchase price. Some states do not allow limitations on how long an implied warranty lasts or the exclusion or limitation of incidental or consequential damages, or legal remedies, so these above limitations may not apply to you. All warranty claims must be reported to the dealer from whom the lift was purchased as they have responsibility for handling your warranty claim. The dealer is to contact the Technical Services Department of Harmar and provide the serial number of the product along with a description and evidence of the defect(s) supporting a warranty claim. Dealers may charge for labor, service, travel, or other associated costs to make repairs, and such charges are not covered by this Limited Warranty. It is permissible to have any repairs or replacement work done as a result of any defects in material and workmanship by someone other than the Dealer under this Limited Warranty. However, the Limited Warranty does not cover any charges or expenses assessed by any such other person or company performing such repairs or replacement work. All parts used to replace defective materials must be genuine Harmar parts to be covered by this Limited Warranty. This Limited Warranty gives you specific legal rights, and you may have other rights which vary from state to state.

Harmar will not be charged for labor, consequential damage or repair expenses. Harmar will not, under any circumstances, be liable for the loss of the use of its products or loss of time. Defective parts must be returned, if requested, prepaid, to Harmar for inspection prior to credit or replacement. At Harmar's discretion, any part found to have been modified, over-stressed, damaged by accident, or misused is not covered by this warranty. **THIS WARRANTY IS IN LIEU OF ALL OTHER WARRANTIES OR CONDITIONS, INCLUDING ALL IMPLIED WARRANTIES OR MERCHANTABILITY OR FITNESS FOR A PARTICULAR PURPOSE, AND THERE ARE NO WARRANTIES THAT EXTEND BEYOND THE DESCRIPTION OF THE LIMITED WARRANTY DESCRIBED HEREIN.**

Product Information

Model: _____

Serial Number: _____

Feet of Track _____

Installation Date: _____

Installer Information

Company Name: _____

Contact Name: _____

Address: _____

Phone: _____

Email: _____

Purchaser Information

Name: _____

Address: _____

Installation Address (if different): _____

Phone: _____

Email: _____

Additional Information

How did you hear about Harmar?

- | | |
|--|---|
| <input type="checkbox"/> Harmar Dealer | <input type="checkbox"/> Friend or Family |
| <input type="checkbox"/> Internet | <input type="checkbox"/> Saw Harmar product |
| <input type="checkbox"/> Magazine | <input type="checkbox"/> Other _____ |

I selected Harmar due to its (select all that apply):

- | | |
|---|---|
| <input type="checkbox"/> Key Feature _____ | <input type="checkbox"/> Ease of Use |
| <input type="checkbox"/> Harmar Dealer | <input type="checkbox"/> Recommendation |
| <input type="checkbox"/> Own other Harmar product | <input type="checkbox"/> Price/Value |

Safety Tips

- Have the dealer adjust the footrest and seat back height so it fits you properly.
- Operate the lift while the dealer is present. Be sure you are comfortable with mounting and dismounting the lift at each landing. The seat height should be set so it is as easy as possible to get on and off the lift.
- Make sure you understand how the swivel seat works and locks into the various positions.
- Keep your feet centered on the footrest while traveling up and down the stairs. Never dangle your feet off the footrest while operating the lift.
- Use the armrests to assist you getting on and off the lift.
- Sit all the way back in the seat while operating the lift and always fasten your seat belt.
- Never operate the lift while standing up.
- Stop the unit by releasing the control switch if anyone begins walking up or down the stairs. Do not proceed until the staircase has been cleared.
- Keep the landings at each end of the staircase free of any obstructions (children's toys, etc.)
- Do not carry pets or children on your lap while riding the lift. The lift is designed for use by one person at a time.



2075 47th Street
Sarasota, FL 34234
800.833.0478
harmar.com