

Journey Deluxe Bedside Assist Rail

PRODUCT MANUAL



www.shopjourney.com



Prior to use, please read all instructions and inspect all parts carefully for damage prior to assembly.

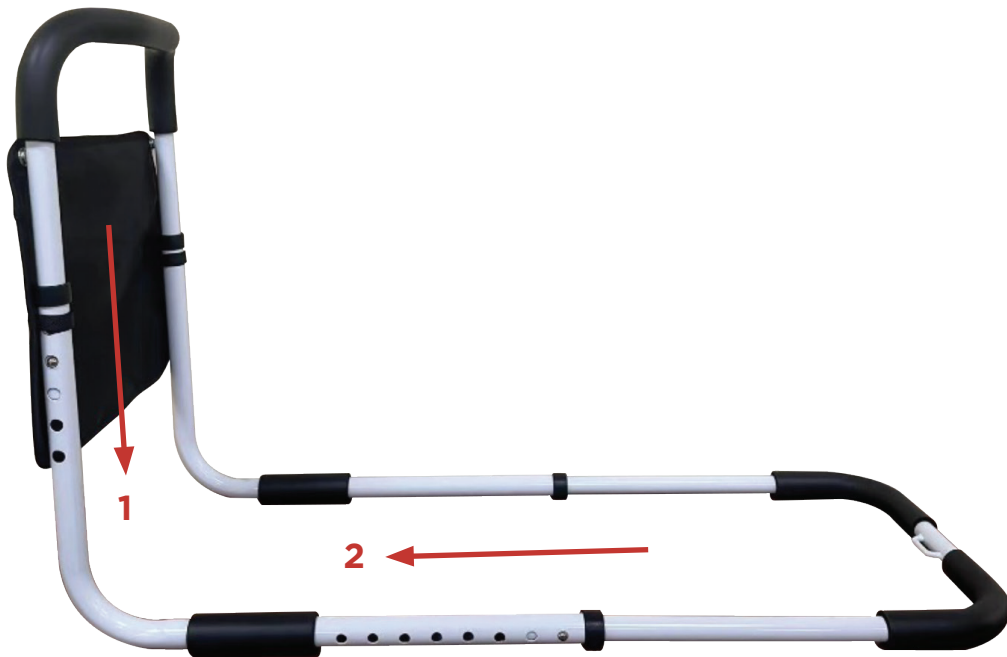
1. Please read these instructions carefully before installing and using the bedrail.
2. This bar is not designed to support the entire weight of a person and has a weight capacity of 300 lbs.
3. Narrow beds may tilt if user puts full body weight on the handle.
4. The adjustable bed bar is not intended for those with reduced mobility or people who are permanently bedridden.

Additional safety measures and precautions should be taken with high-risk patients.

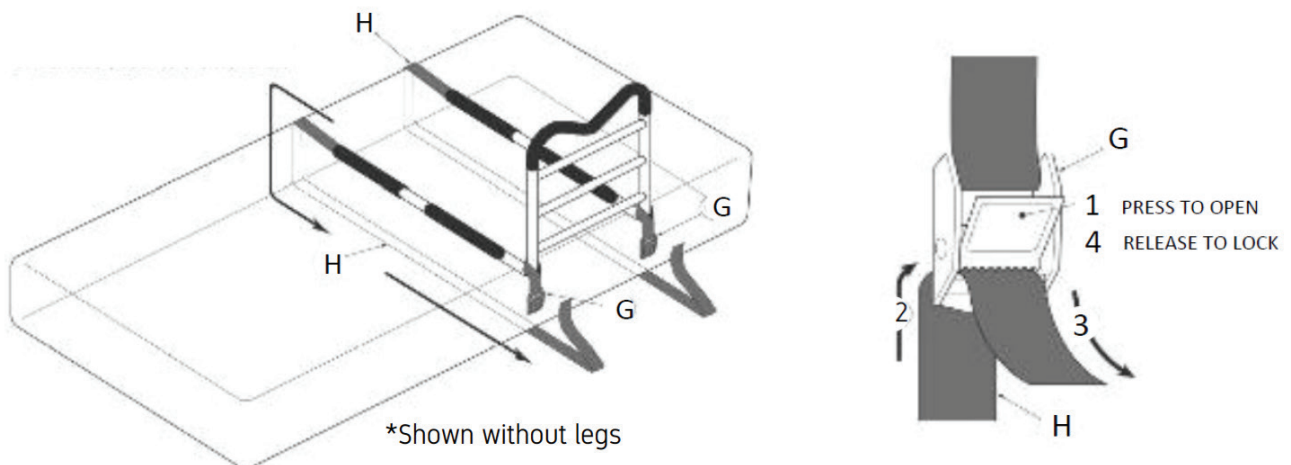
5. The bedrail must not be attached to a medical bed that can move or be lifted.
6. The mattress must be tight against the grab bar, without leaving any space, to prevent a person from getting trapped. This should be checked frequently, if not daily.
7. For added safety, we recommend that you install two bedrails, one on each side of the bed, to help hold the mattress in place, without leaving any space.

Warning: If the box spring is wider than the mattress, two bedrails will not work.

1. Remove the product from its packaging.
2. Attach the armrest tube to the connecting bend.
3. Attach the bottom frame tube to the connecting bend.
4. Secure the product to the bed using the webbing group on the bottom frame tube. Tighten as necessary.



1. For easier installation, remove the mattress and place the assembled rail on top of the box spring.
2. Run the long webbing (part H) around the bottom of the box spring and back to the bottom of the handle.
3. Feed the webbing through the buckle (part G) and lock the buckle to secure the strap at the desired length. Repeat on the other side.
4. Replace the mattress.
5. For positioning, lie on the bed and move the bedrail to the desired position where it's easy to use the rail.
6. To make sure the webbing straps are straight and parallel, tighten them securely against the box spring. *
7. Loop and tuck the loose end of the webbing directly below the buckle to prevent tripping hazards.



IMPORTANT: For your safety, the part H safety strap set provided with this bedrail MUST be installed as shown above.

- Clean frame with soap and water and dry with towel.
- Check straps and handles periodically to make sure they are not torn, worn or missing.
- Replace if necessary.



Persons with severe disabilities or persons who are unable to walk without an aide should not attempt to use this product without assistance.



Journey Deluxe Bedside Assist Rail

If you have any questions, call us at our toll free number:

1-800-958-8324