

USER MANUAL



Bariatric

LINCOLN EXPANDABLE BARIATRIC WITH BUILT-IN SCALE

5 FUNCTION ELECTRIC BED

WIDTH EXPANDS FROM 36" – 42" – 48"



FOR
MODEL # LX-BARI-S



Innovative Healthcare Solutions

© 2021
MADE IN CHINA

TABLE OF CONTENTS

PAGE 2	INRODUCTION & PRODUCT FEATURES
PAGE 3	PARTS LIST AND DESCRIPTION
PAGE 4	INSTALLLING THE LIFTING FRAME & HEIGHT ADJUSTMENT MOTOR
PAGE 5	INSTALLING THE LENGTH EXTENSION FRAME
PAGE 6	INSTALLING BED BOARDS
PAGE 7	INSTALLING BED BOARDS
PAGE 8	CASTERS
PAGE 8	BED WIDTH EXTENSION
PAGE 9	BED WIDTH EXTENSION & BED LENGTH EXTENSION
PAGE 10	SIDE RAIL INSTALLATION
PAGE 11-12	PATIENT & NURSE REMOTE CONTROL
PAGE 13-17	PATIENT & NURSE REMOTE CONTROL OPERATING FEATURES & FUNCTIONS
PAGE 18-19	BATTERY BACKUP
PAGE 19	TRENDELENBURG AND IV POLE

The **MedaCure Lincoln Expandable Bed with Built-in Scale System** is a fully electric, versatile and multi-functional bed for Long Term Care, Hospital & Home Care settings. It expands in both the width (from 36" to 48") and length (from 80" to 88") which makes it ideal for standard, bariatric and tall patients. It has a low position of 14.9" and 5 patient position functions to enhance the quality of care and for ultimate comfort. The Lincoln uses 4 sophisticated motors to control all functions and has a weight capacity of 700 lbs. The bed comes with a patient remote control and a built-in scale function. The bed is a Class II Medical Device. The plug and the motors are IP43 rated.

Durable and built to last with all steel construction and removable head & foot boards. The Lincoln is a sturdy bed with multi-functional features and an attractive upscale design that will enhance the décor of any room.

5 Function Electric Bed Head and Foot Positions, Hi/Lo, Trendelenburg & Reverse Trendelenburg



Expandable width from 36" – 42" – 48"
Adjusts for both Standard and Bariatric Patients

PRODUCT FEATURES

- Patient remote hand control for all 5 positions
- Scale function – weighs patient while lying in bed
- Backup battery for all 5 functions in case of emergency
- Hi position height travels to 29 ½"
- Low position goes to 14.9"
- Adjustable/expandable mattress deck length from 80" to 88"
- 8 Casters: 4 pcs. swivel & 4 locking casters
- 2 Adjustable side rails
- Under bed clearance of 5"
- IV pole mount on 2 head corners
- Trapeze bracket mount on 2 head corners
- Durable rectangle tube bed deck
- Interchangeable head/foot boards
- Durable 1 piece reinforced steel frame

Weight capacity: 700 lbs.



**Width Expands & Retracts
without any Tools**

PARTS LIST & DESCRIPTION

IMPORTANT: Read this manual completely before setting up or operating this system and keep in a safe place for future reference. To avoid injury and for maximum safety, this system should only be installed by an authorized technician or dealer representative.

Electric bed installation parts listed below as per Figure # 1

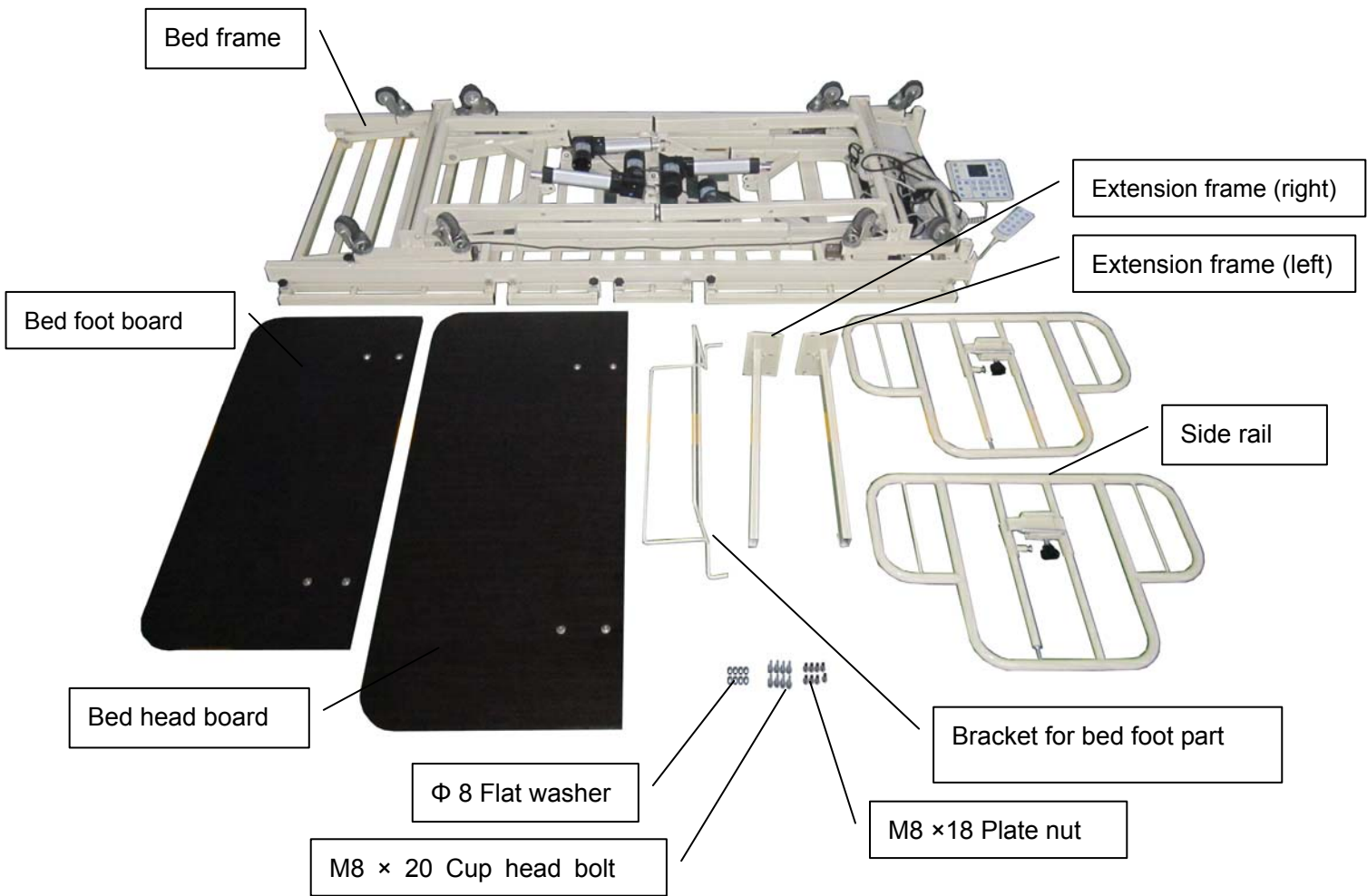


Figure # 1

1. Installing the lifting frame

Remove the ϕ 13.5 bolt from the lifting frame (1). Place a ϕ 14 plastic washer between the lifting frame (1) and lifting frame (2), matching the bolt holes on both lifting frames. Fasten with a ϕ 13.5 bolt with cotter pin as per Figure # 2. Use 4 bolts to connect the lifting frames.



Figure # 2

2. Installing height adjustment motor

Match the installation holes on height adjustment motor and motor base and fasten by ϕ 10 bolt with latch as per Figure # 3. Before attaching the bolt, first attach a 10 plastic washer to the bolt. Install the two height adjustment motors one by one.



Figure # 3

3. Installing the length extension frame

3.1. Insert extension frame (left) & extension frame (right) into the 60 x 30 mm rectangular bed frame tube. See Figure # 4

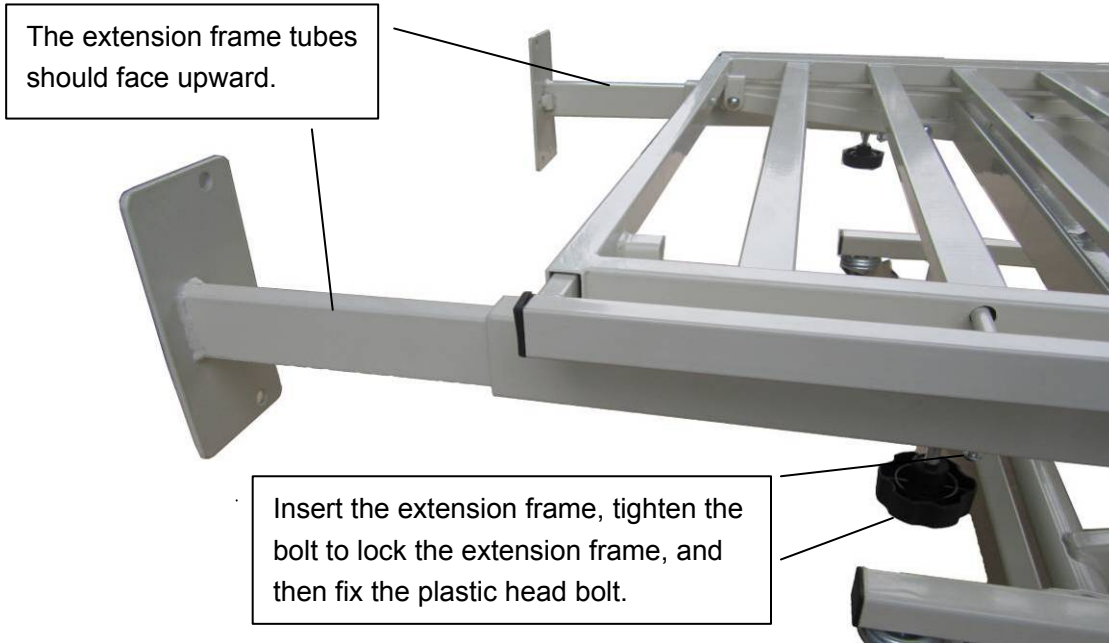


Figure # 4

3.2. Install bracket for bed foot part as per Figure # 5.



Figure # 5

4. Installing the bed boards

4.1 Press the M8 × 18 plate nut into the bed board holes, as per Figure # 6.



Figure # 6

4.2 Match the bed head board with the bed frame installation holes. Fasten by M8 X 20 cup head bolt with ϕ 8 flat washer, as per Figure # 7.



Figure # 7

4.3 Match the bed foot board with the extension frame installation holes.

Fasten by M8 X 20 cup head bolt with ϕ 8 flat washer.

Bed foot board can be installed in both the high and low level position. See Figure # 8 & Figure # 9.



Figure # 8 Bed foot board in low-level installation position



Figure # 9 Bed foot board in high-level installation position

4.4 Install the bed head board to the bed head frame, and bed foot board to the bed foot frame, as per Figure # 10.



Figure # 10

5. Casters

There are 4 pcs. locking casters and 4 pcs. swivel casters per set.

Step on the locking pedal (lower) to activate the locking position and step on the unlocking pedal (upper) to deactivate the locking system. See Figure # 12 & 13.



Figure # 12 Locked position

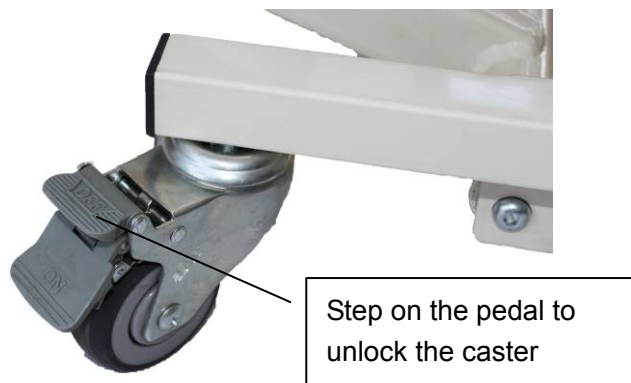


Figure # 13 Unlocked position

6. Operation for bed surface extension frame

6.1 First, loosen the “Locking Bolt”. Then, pull the “Pulling Button” with one hand and pull out the extension frame until it clicks into your desired location hole (see 6.2 below). Tighten the “Locking Bolt” to lock the extension frame in place. See figure # 14.

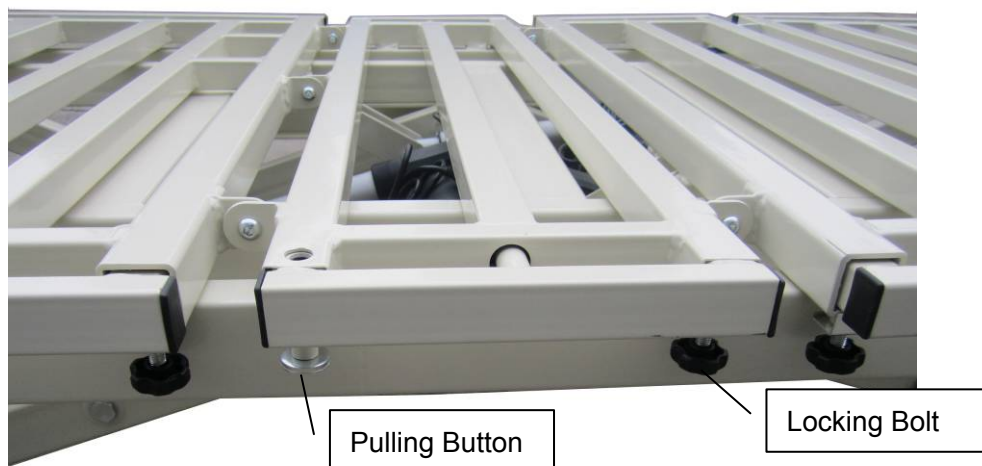


Figure # 14

6.2 **IMPORTANT NOTE:** There are 3 location holes on each extension frame for 3 width adjustment settings - 36", 42" and 48" widths. There are 4 separate extension frames on each side of the main frame. Repeat the above method in 6.1 to achieve the desired width and then tighten the "Locking Bolt" to lock the extension frame in place. See Figure # 15.



Figure # 15

7. Bed foot length extension frame

Loosen the screw on the bed frame, and pull out the extension frame.
Tighten the screw until the ideal length is selected, as per Figure # 16.



Figure # 16

8. Side rail installation & use

8.1 Loosen the screw on the side rail mounting base. Clip the mounting base with the 60 x 30mm rectangular bed frame tube and tighten the screw when you finish adjusting the position. See Figure # 17



Figure # 17

8.2 To raise the side rails - Pull up until the rail clicks in place.
To lower the side rails - release the pulling button as per Figure # 18.



Figure # 18

9. Patient Remote Handset, Scale and Nurse Control

9.1 Patient remote handset operates as illustrated below - Figure # 19

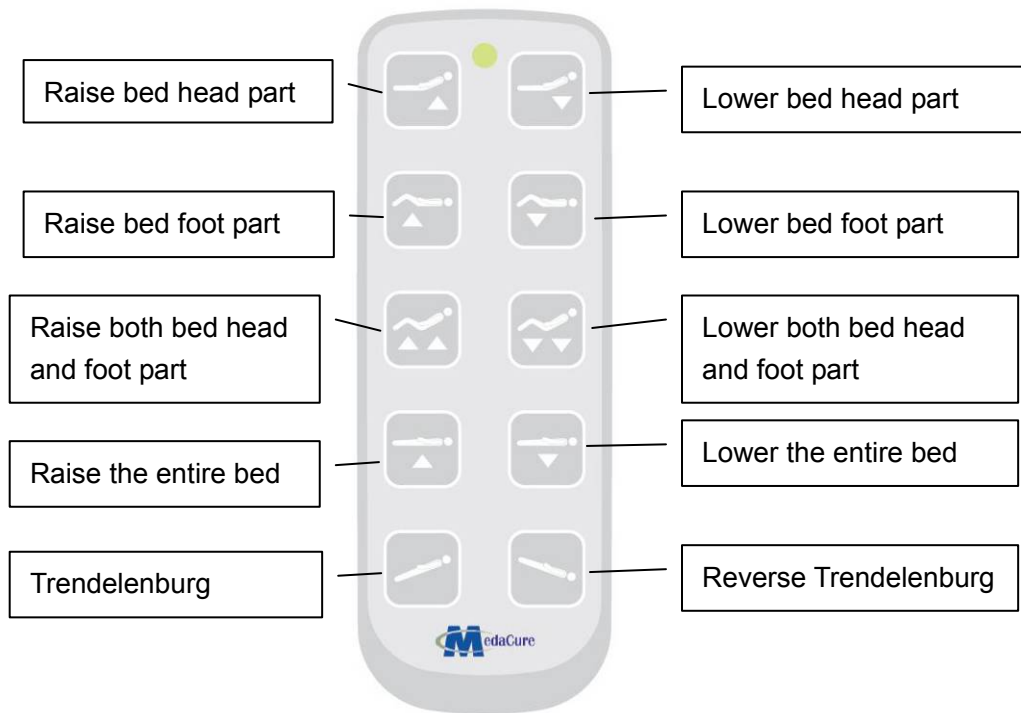
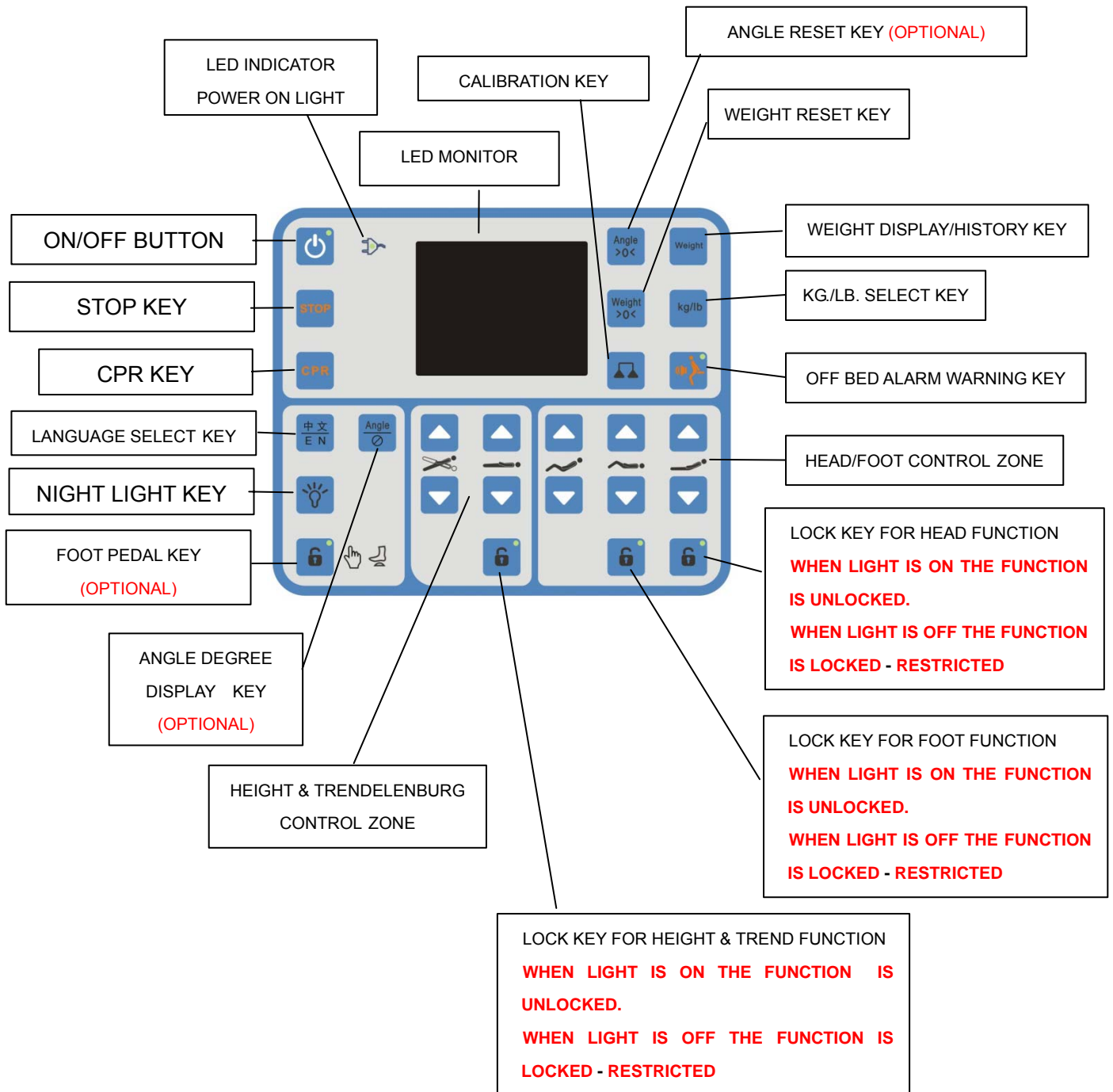


Figure # 19

SCALE AND NURSE CONTROL FUNCTIONS



9.2 Scale and Nurse Control

Connect the power cable to the control box. Remotely control all 5 bed functions as per figure # 20.

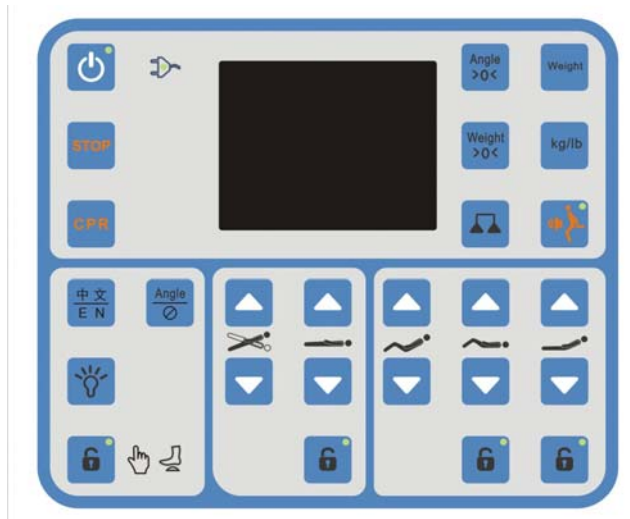


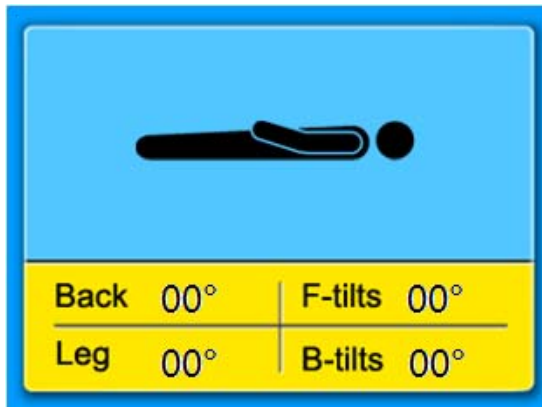
Figure # 20 Scale and Nurse Control

9.3 Operation of Nurse Control and Scale Function

When the power is on, the default screen shows the movement and tilting degree (optional) information (this model bed does not have a tilting degree function). When the power is on,



the LED indicator lights up.



When the motor is in motion, the screen monitor shows the movement signal and degree detail (optional) (this model bed does not have a tilting degree function). When the motor finishes its movement, the movement illustration image remains on the screen. When the system has no operation command (including the nurse remote handset and patient handset) for more than 3 minutes, the system and monitor will go into standby mode. The system will resume working after the next operation command (except the night light key).



On / Off Button:

When the power is on, the On/Off button indicator lights up. The Nurse Control operates all 5 bed functions. If the nurse control does not operate for longer than 1 minute, the On/Off indicator light will turn off and all functions will operate except for the CPR and STOP key. When the On/Off button light is off, press the On/Off button and all functions will resume working.



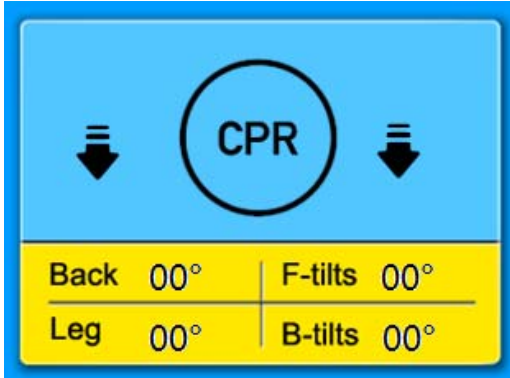
Stop Key:

This is an emergency stop feature - the motors that control all 5 functions stop working immediately when the Stop Key is pressed. It deactivates all three motor keys and all current activities. All functions will resume working when you release the Stop Key and press the associated command button.



CPR Key:

This is an emergency feature to lower all four motors simultaneously. Press the CPR Key to lower all four motors at the same time. The monitor screen will show the CPR and lowering signs.

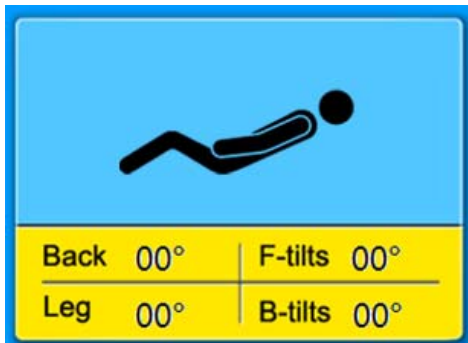


Language Select Key:

Press the language key for 5 seconds to select and switch from English to Chinese.



Angle Degree Display Select Key (optional) (this model bed does not have an angle degree function):



Night Light Key:

When the On/Off button is activated, press the Night Light key to turn on the light. The night light is located on the control box located under the frame and underneath the nurse control handset. Both lights turn on and off at the same time.



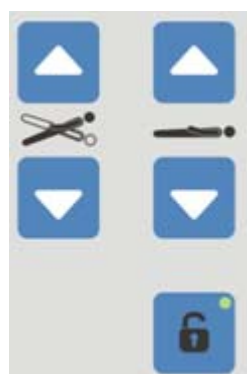
Hand Set Control by Foot Pedal (this model bed does not have a foot pedal control function):

When the nurse remote control locking key light is on, the foot pedal control is ready for use. When the On/Off button is on, switch this function off by locking the remote control and the foot pedal control. When the On/Off button is off, switch this function back on to activate the remote control and the foot pedal control.

Adjusting Bed Height Key Zone:

The illustration symbol on the remote control indicates the associated motor function. The functions include Raising and Lowering the Height of the bed, Trendelenburg (Figure # 21) and Reverse Trendelenburg (Figure # 22).

Bed height and Trendelenburg control



Lock key

Lock Key: Turn the lock key on and off by pressing the lock key.

IMPORTANT NOTE: When the light on the lock key is on, this means it is unlocked and the high/low motor and all function keys are ready for use. When the light on the lock key is off, this means all functions are restricted.



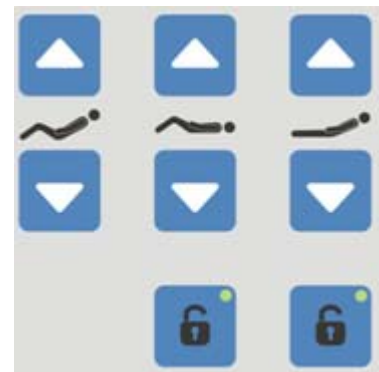
Figure # 21 Trendelenburg position



Figure # 22 Reverse Trendelenburg position

Head and Foot Deck Control Key Zone:

The illustration symbol on the remote control indicates the associated motor function. The functions include Raising/Lowering the Head and Foot deck separately and Raising/Lowering the Head and Foot deck at the same time.



Lock Key: Turn the lock key on and off by pressing the lock key

IMPORTANT NOTE: When the light on the lock key is on, this means it is unlocked and the and all function keys are ready for use. When the light on the lock key is off, this means all functions are restricted.



Angle Reset Key: (this bed model does not have the Angle Degree display function):

When the screen displays the weight data, press this key to enable angle degree mode. When the screen displays the angle degree, if the system has been reset, press this key to clear the angle degree figure and display the current angle degree. If the system has not been reset, or the angle degree figure has been cleared and it is less than 5 degrees, press this key to clear the angle degree. If the angle degree figure is in power off memory mode, the data will remain the same unless the unit was reset.



Weight display / Weight history Key:

When the screen displays the angle degree, press this key to enable the weight display. The display shows the patients current weight, weight history and changes in weight data. When the screen displays the current weight, press this key to add the current data to the weight history and to store in memory when the power is off.



Weight Reset Key:

When the screen displays the weight information, reset the current weight data by pressing this key for 2 seconds until you hear a short beep sound. If the key is pressed for an additional 3 seconds after the short beep, there will be a long beep sound, then release the key to re-display the former weight data before resetting the current weight data. The weight reset data is stored in memory when the power is off.



Weight Unit Kg./Lb. Select Key:

When the screen monitor displays the weight, press this key to switch the unit from kg. to lb. or lb. to kg. The default unit is in kg. and the weight unit can not be stored in memory. Therefore the weight unit will always be displayed in kgs. when the system is re-powered on.



Scale Calibration Key:

This key will only function when the screen displays the weight data and the weight unit is in kg.

IMPORTANT NOTE: The scale system is pre-calibrated in the factory by the manufacturer. Under normal circumstances and if the scale has not been tampered with it is not necessary to calibrate the scale. For more information regarding re-calibrating this system, please contact an authorized distributor or Medacure direct.



Off Bed Alarm Warning Key:

Press this key to activate the off bed alarm warning function. When the indicator light is on, the alarm is activated. When the bed is in static mode and the system detects a change in weight of 10 kgs. / 22lbs. or less, the alarm will turn on and the buzzer will sound. The alarm sound turns off automatically after 40 seconds and the indicator light will turn off. You need to press this key to turn off the alarm warning system.

10. BATTERY BACKUP

The scale system is powered by AC power. The scale system also comes with a backup rechargeable battery.

Backup battery with power level that is greater than 9V illustrated as below:



Backup battery with power level that is less than 18V shows 0 bars:

- (1) When the system is connected to the AC power the power level of 18-24V is indicated as ONE BAR, 24 - 26V as TWO BARS, above 26V as full load.
- (2) When the system is not connected to the AC power the power level of 18-22V is indicated as ONE BAR, 22-25.5V as TWO BARS, above 25.5V as a full load (Tolerance: +/- 0.5V).

Discharge the backup battery: turn off the AC power, operate the handset remote control or the nurse control keys to run the corresponding fader. When the backup battery power level decreases to 20V, the beep alarm will sound, indicating lower battery warning.

When the backup battery level decreases to 18V, the backup battery function will shut down and can no longer operate the motor by both remote controls.

Precautions:

1. Charge the backup battery when the power level is low. The battery is at risk of failing if it is not in use for a long time (more than a month). Charge the backup battery once a month, 8 -10 hours each time.
2. The backup battery is for use in case of emergencies and power outages only, as the backup power can rundown rapidly. Use the AC power to charge the battery.
3. When there is no AC power connection and the battery displays zero bars, the system will automatically shut down after a short while.
4. The product comes with 2 pcs. 12V rechargeable batteries. The battery lifespan is 2 - 4 years. When the rechargeable battery is expired replace with a new battery. When changing the battery, unscrew the cover on the remote box and disconnect the connected rechargeable wire. Remove the old battery and replace with the new battery. Reconnect the wire secure the cover with the screws on the remote control box as per the illustration in figure # 23.

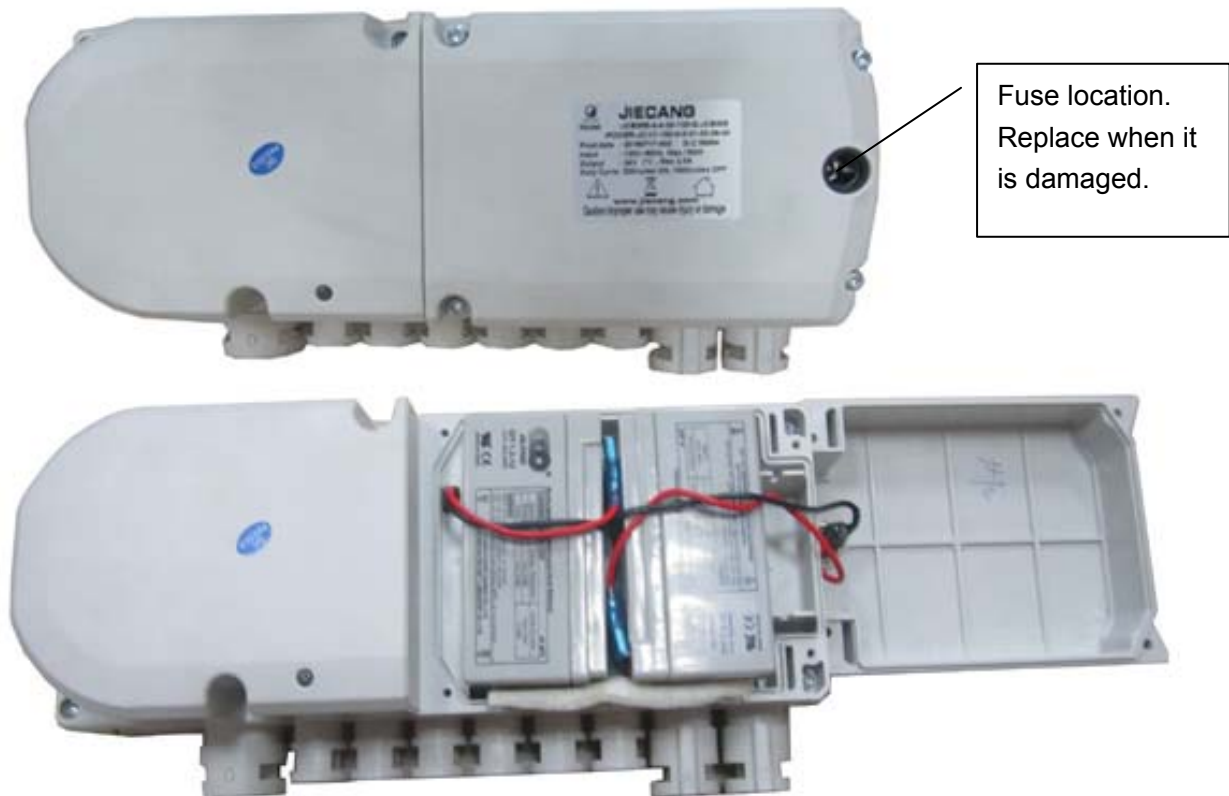


Figure 23

11. Lifting pole and IV pole are optional

There are two (2) lifting pole sockets and two (2) IV pole sockets on the head part of the bed frame.