

Residential Quick Ship Vista VPL Approval Drawings

TOWER LOCATION (180° Configuration)

1. Lifting Height:

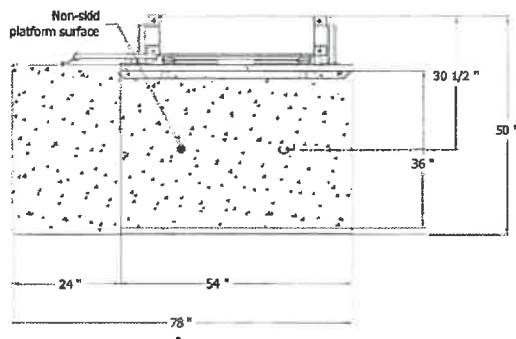
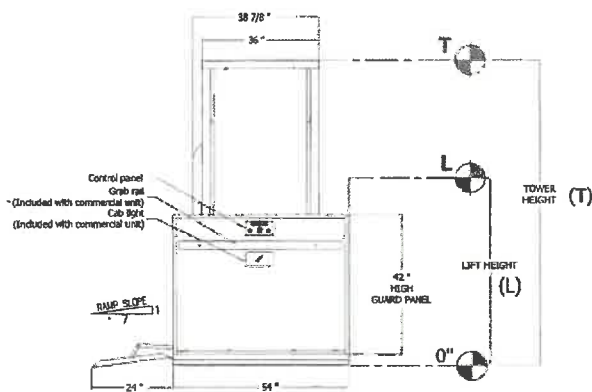
T	L
○ 58"	0 to 30"
○ 92"	0 to 64"

L = Lifting Height

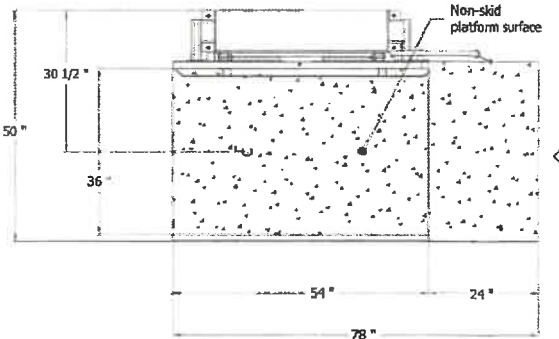
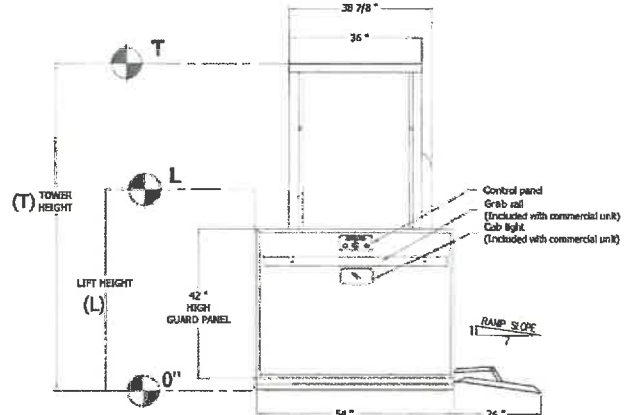
T = Tower Height

2. Configuration

○ | LEFT HAND



○ | RIGHT HAND



Notes

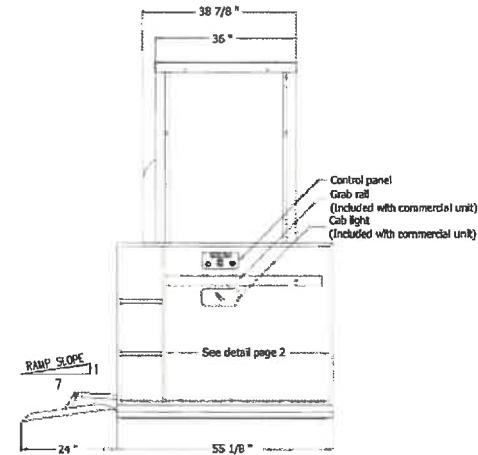
- 1 Platform lift, upper landing door/gate and interlock(s) must be installed by a trained and authorized installer.
- 2 All work and materials must comply to local laws and regulations.
- 3 This vertical platform lift is designed and built by Atlas in accordance with the following codes: A18.1 2014 (See A18.1 Table 1.5-1), A117.1 2009, NFPA 70 2017.

Clear All

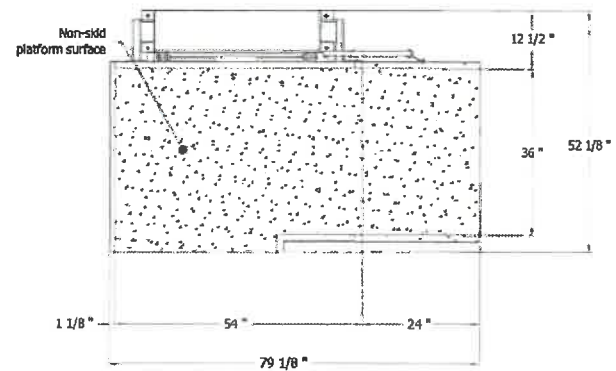
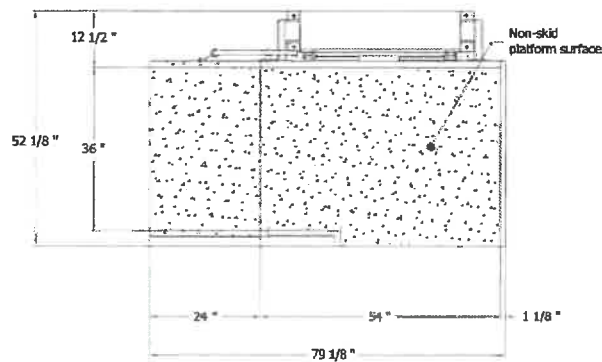
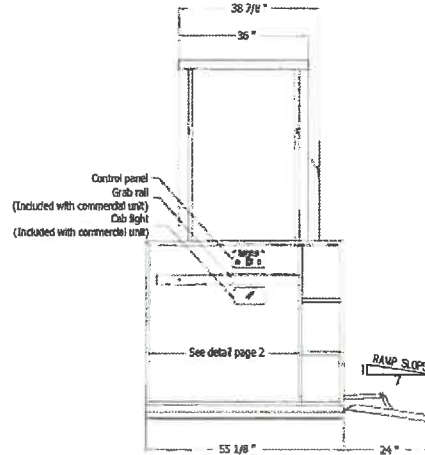
TOWER LOCATION (90° Configuration)

2. 90° Configuration

○ LEFT HAND



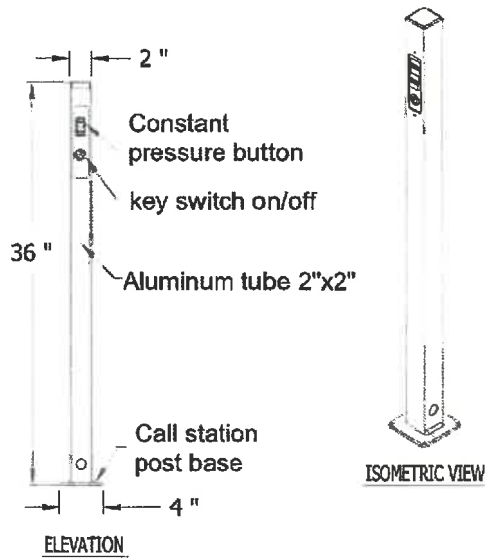
○ RIGHT HAND



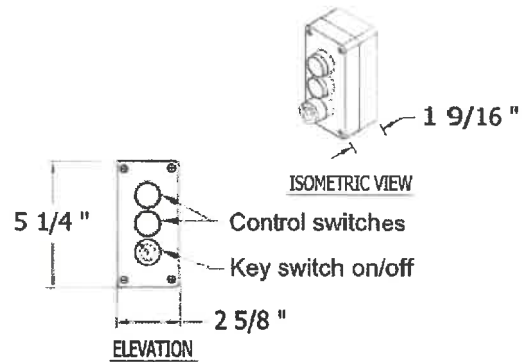
Notes

- 1 Upper landing door / gate and interlock to be installed by elevator contractor.
- 2 All work and materials must comply to local laws and regulations.
- 3 This vertical platform lift is designed and built by Atlas in accordance with the following codes: A18.1 2014 (See A18.1 Table 1.5-1), A117.1 2009, NFPA 70 2017.

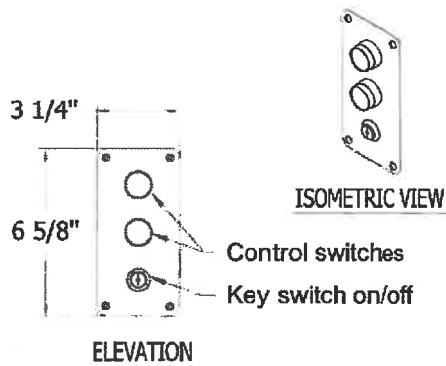
CALL STATION TYPES



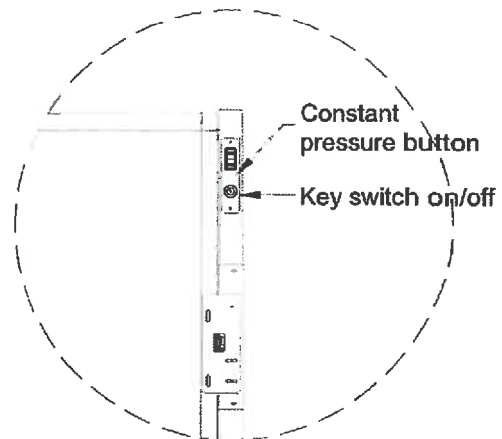
POST MOUNTED



SURFACE MOUNTED



WALL MOUNTED



MOUNTED ON FRAME

2.1 Lower Landing Call Station

- CALL STATION POST MOUNTED
- CALL STATION SURFACE MOUNTED
- CALL STATION WALL MOUNTED
- NOT SUPPLIED BY ATLAS

2.2 Upper Landing Call Station

- CALL STATION POST MOUNTED
- CALL STATION SURFACE MOUNTED
- CALL STATION WALL MOUNTED
- CALL STATION MOUNTED ON FRAME
- NOT SUPPLIED BY ATLAS

UPPER LANDING GATE DIMENSIONS AND HANDING

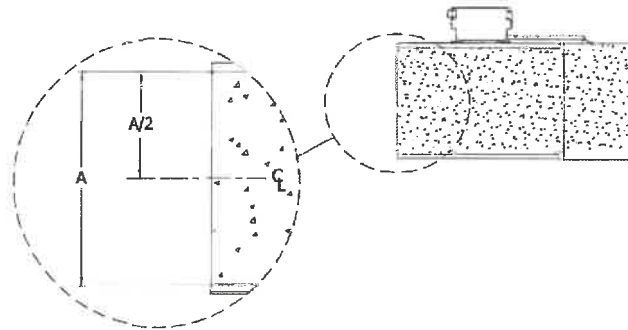
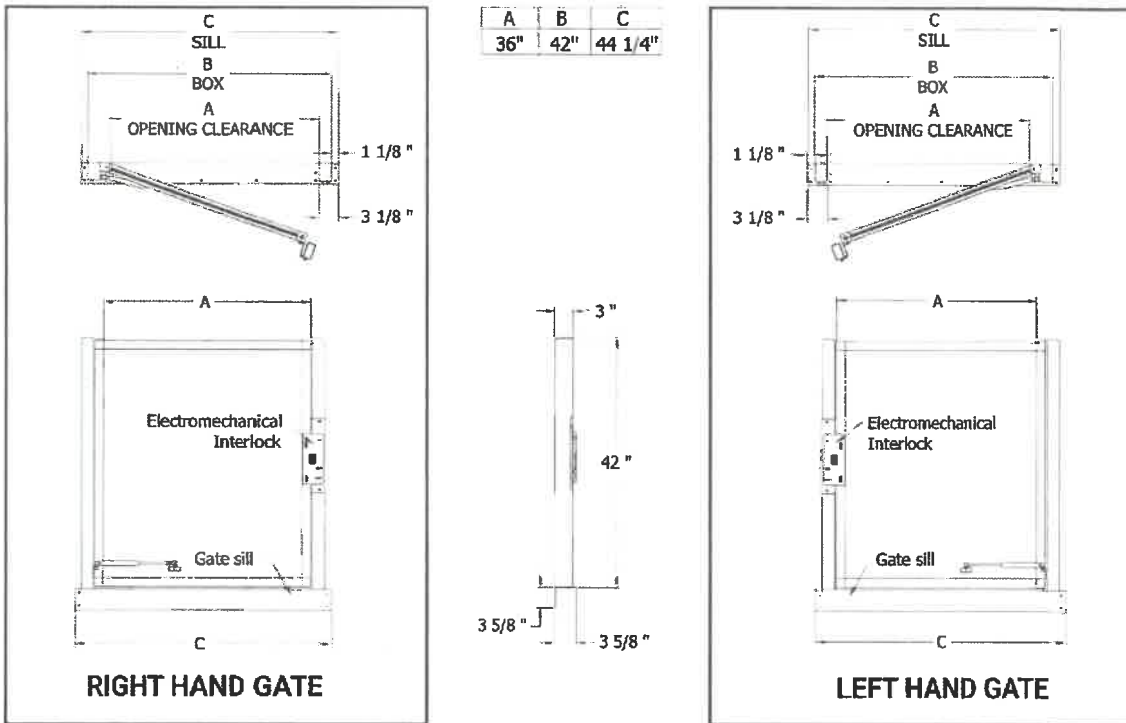
3. Gates

Supplied by Atlas

- RIGHT HAND GATE - 36" x 42"
- LEFT HAND GATE - 36" x 42"
- NOT SUPPLIED BY ATLAS

Accessories

- RIGHT HAND GATE (INTERLOCK ONLY)
- LEFT HAND GATE (INTERLOCK ONLY)
- AUTOMATIC LANDING GATE OPENER



DETAIL

STANDARD INCLUSIONS



Each Residential VPL Kit includes the following:

Model:	Vista
Dimension:	36W x 54"D x 42" H
Lifting height:	Up to 64"
Tower height:	58" or 92"
Capacity:	750 lbs
Speed:	9-12 FPM
Color:	Atlas Gray (RAL 7047)
Motor:	1.5 hp, 24VDC motor
Power supply:	120v/ 20A (2 x 12v gel batteries)
Safety Features:	Obstruction sensor underpan limit switches emergency stop emergency lowering slip-resistant floor key lock controls brass safety nut
Installation kit:	conductors wiring quick connectors hardware shims touch up paint

Safety Standards:

ASME A18.1
 CSA B44.1 / ASME 17.5-elevator and escalator electrical equipment.
 ICC A117.1 accessible and usable buildings and facilities (section 410)
 Electrical number QAI; E10695

Shipping Details:

Dimensions - 1 Pallet: 97" x 49" x 49"
 Weight: 1,100 lbs

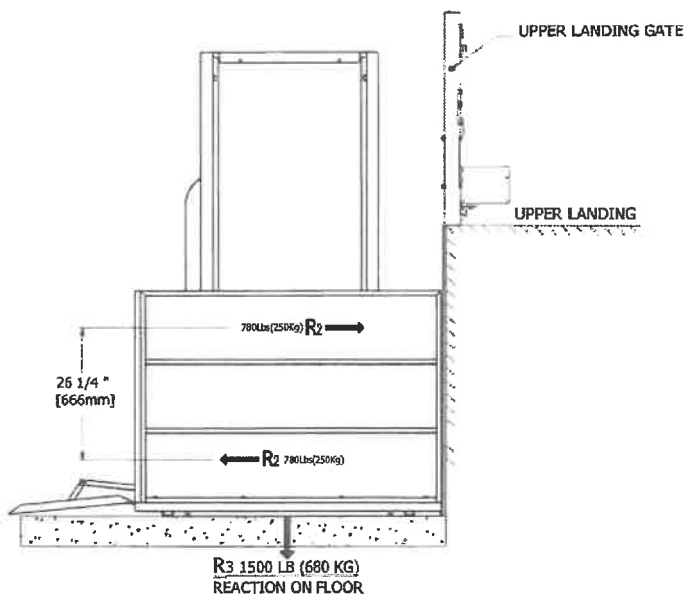
30" Model:
 Weight: 810 lbs



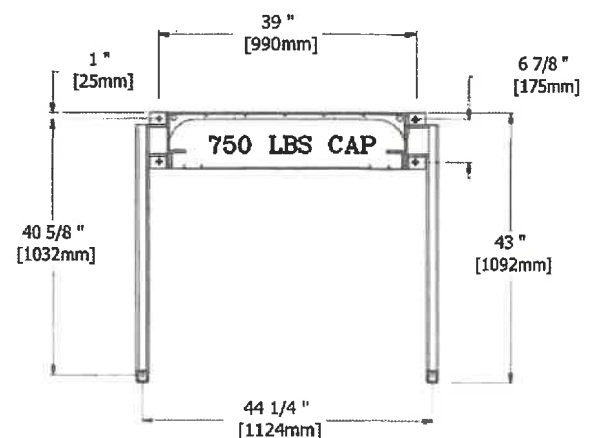
PLATFORM LOADS

Notes

- 1 Structural support by others. pad construction requirement may vary from state. Dimensions given are Atlas recommend clearances, reflecting running and access clearances. Consult local authority to assure compliance with state and local codes.
- 2 Wall below top landing to be solid, smooth, plumb and square.
- 3 Any alterations to equipment without written authorization by Atlas will void warranties.
- 4 Per ASME A18.1 section 5.1.1.1 the runway shall be guarded at the upper landing by door or gate at least 42" (1067mm) high of solid construction and provided with a combination mechanical lock and electric contact. The door shall be permitted to be opened only if the platform floor is within 2" (50mm) of that landing.



LOADS

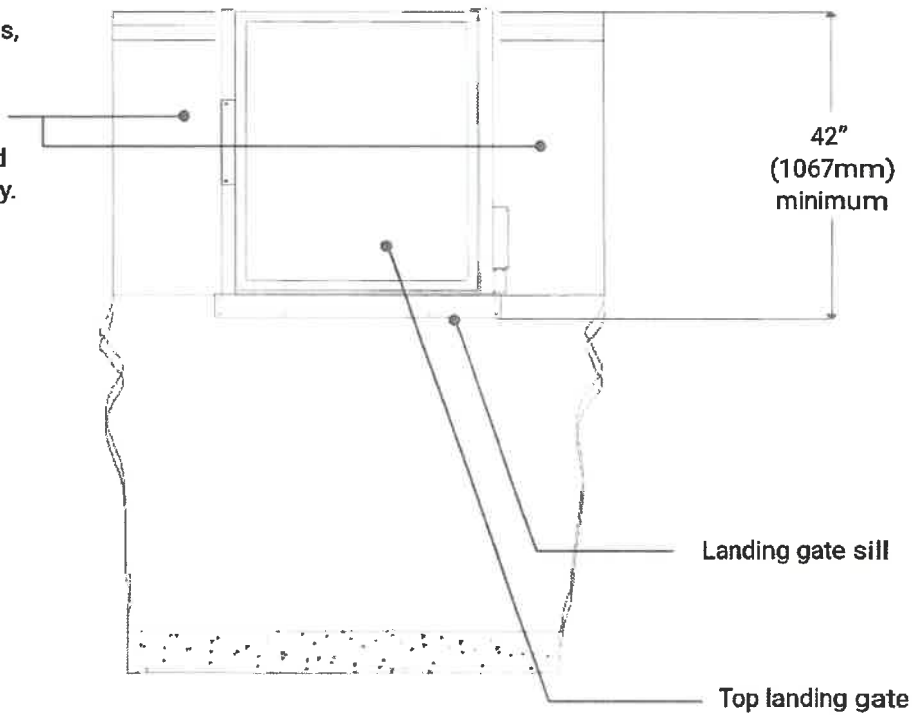


ANCHORING

JOB SITE REQUIREMENTS

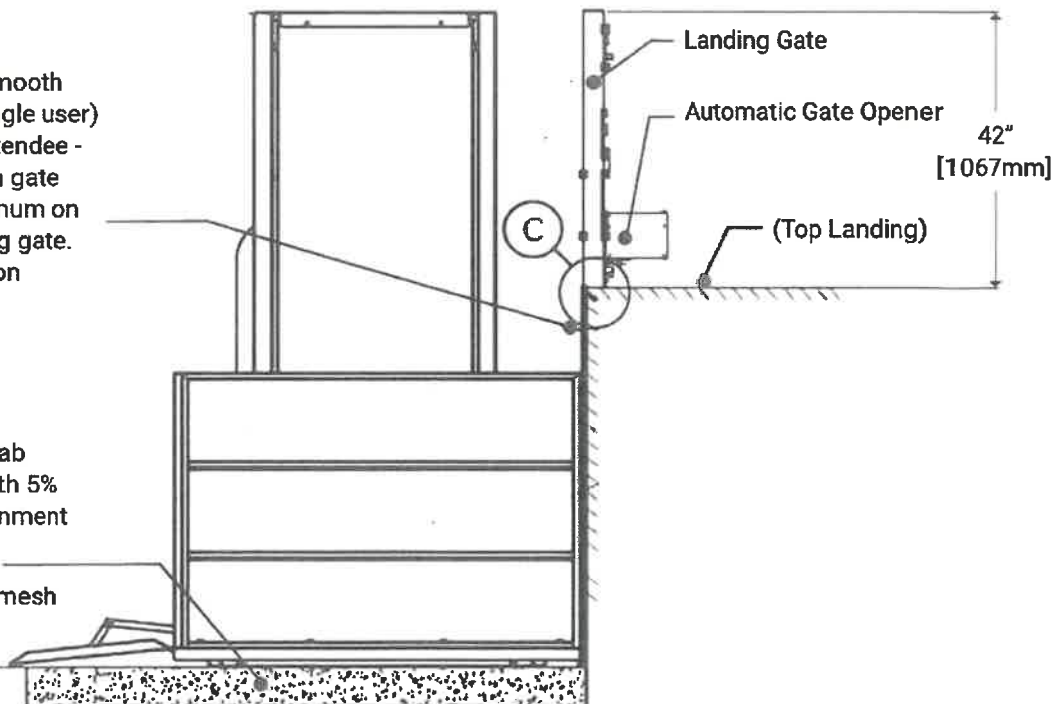
Verify the Job Site Requirements

Upper landing side railings, without openings. To be installed after the lifting platform is in place. They must be able to hold the landing gate assembly.



Runway must be smooth and extend 12" (single user) or 24" (user and attendee - unit with a platform gate and handrail) minimum on each side of landing gate. Otherwise, extend on all area.

- 6" concrete slab min 25 MPa with 5% to 8% air entrainment
- #9, 6" x 6" reinforcement mesh
- 12" of 3/4" crushed stone



By signing this agreement, the customer agrees to drawings detailed in previous pages and acknowledges and agrees to the above mentioned terms.

Shipping Information:

Contact _____

Phone _____

Address _____

City _____

Province / State _____

Postal Code / ZIP _____

Type of Delivery:

- Pick-up at Terminal
- Loading Dock
- Liftgate - Ground Delivery
- Onsite Forklift
- Flatbed and Forklift

Purchaser Signature: _____

Date: _____

Printed Name: _____

Title: _____

