

# INSTRUCTIONS

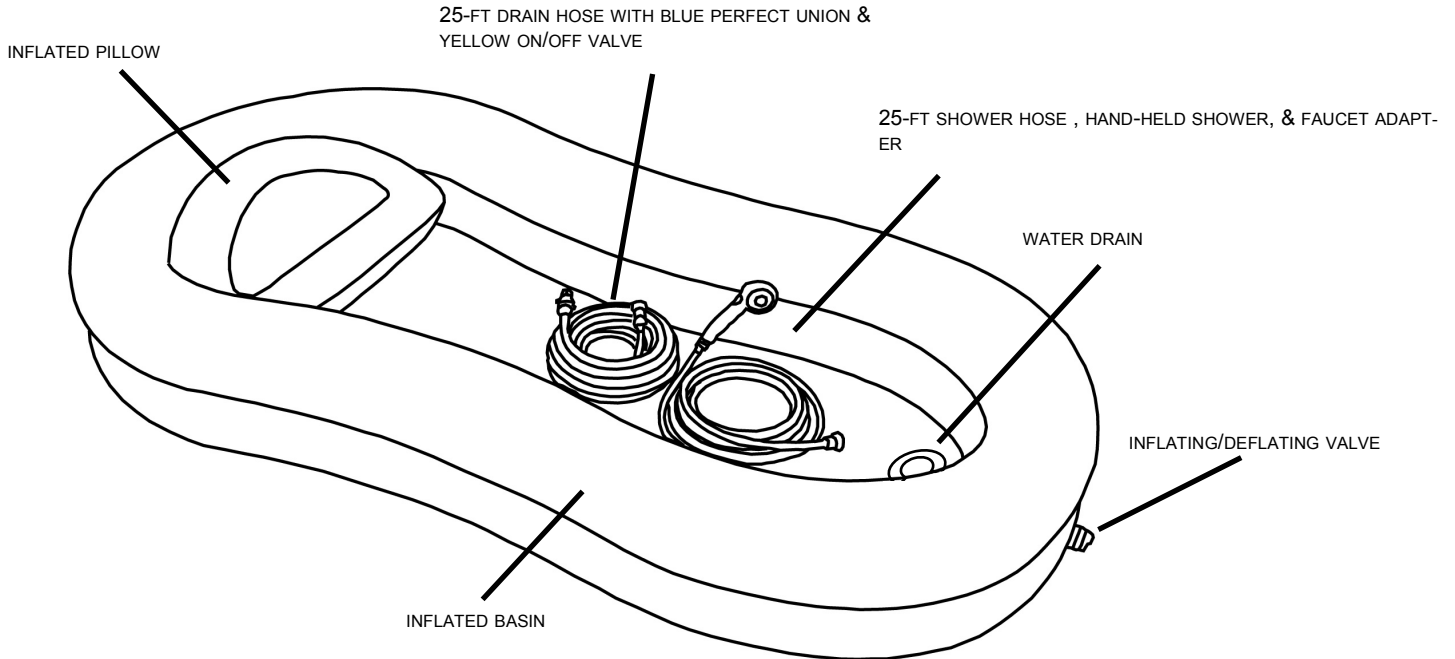
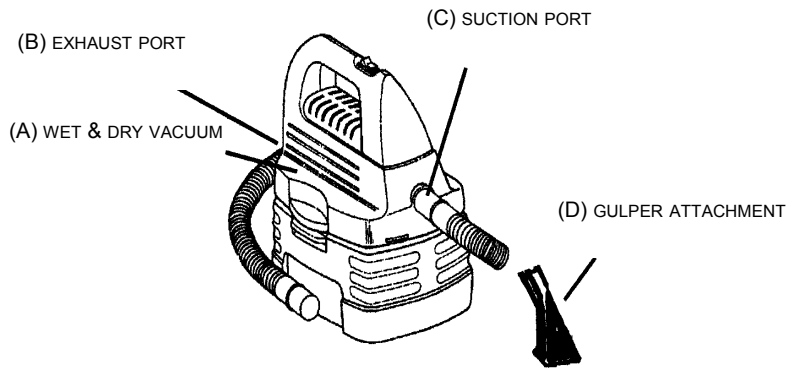


# EZbathe<sup>®</sup>

body **washing basin**

 **EZ-ACCESS<sup>®</sup>** BATHING ACCESSORIES





## INTRODUCTION

The EZ-BATHE® Body Washing Basin is easy to use. Like any new purchase, “practice makes perfect” so **familiarize yourself with all of the components and read this instruction sheet in its entirety before use.**

Although designed to fit hospital beds, the EZ-BATHE can be used on any bed.

## BEFORE YOU BEGIN

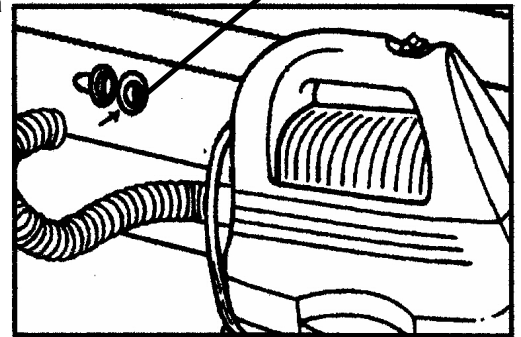
The illustration above is your guide. Please refer to it and familiarize yourself with the various parts. **We suggest that you practice inflating/deflating the Basin and pillow and setting up the attachments before attempting the actual bathing of your patient.**

NOTE: Be sure that drain hose is connected before attempting to fill EZ-BATHE with water.

## HOW TO INFLATE & DEFLATE

The wet/dry vacuum has a threefold purpose:

1. Inflates the Basin and pillow using the EXHAUST PORT with the end of the hose. The end of the hose is slightly larger to assist in avoiding over-inflation of the Basin (which may cause seams to split, making the Basin unusable). NOTE: The vacuum hose does not go inside the INFLATING/DEFLATING VALVE.

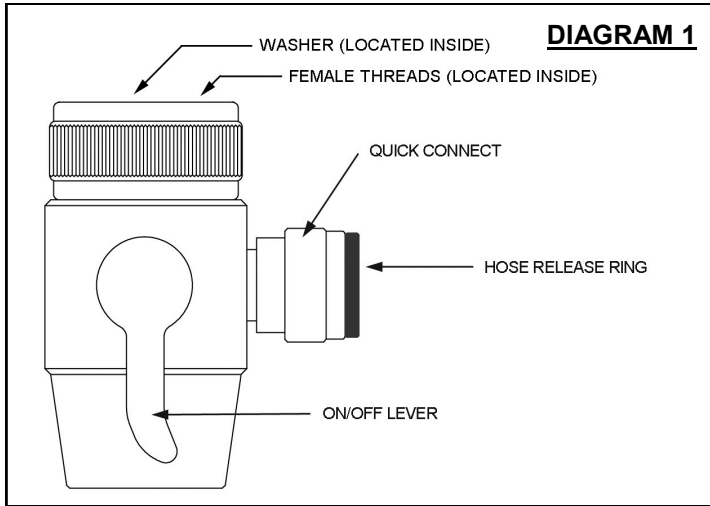


NOTE: Vacuum style and brand may vary.

Simply hold the end of the hose over valve while inflating/deflating your EZ-BATHE (see illustration). Hose should be held snug against Basin while squeezing the valve to allow airflow. **Fill with air until Basin is firm but do not over-inflate.**

2. Deflates the Basin and pillow in the same manner as inflating, using the opposite SUCTION PORT.
3. Vacuums up surplus water and debris using the SUCTION PORT and GULPER ATTACHMENT.

**FAUCET ADAPTER:** The FAUCET ADAPTER allows you to attach the HAND-HELD SHOWER to most faucets. Once the adapter is secured to the faucet, it is a simple procedure to connect or disconnect the shower hose.



**INSTALLING THE FAUCET ADAPTER:** Remove the existing aerator from your faucet and determine whether the threads are male or female.

1. If your aerator has threads on the outside you will need to use one of the male thread adapters (found in enclosed hardware bag).
  - a. Match the thread diameter of your aerator to one of the male thread adapters. (The thread size on the FAUCET ADAPTER is 15/16-27 female and the enclosed male thread adapters are sizes 55/64-27 and 13/16-27. If neither male adapter fits your faucet, check your local hardware store for additional sizes.)
  - b. Screw the correct size male adapter into the top of the FAUCET ADAPTER. Place the correct size black washer (located in hardware bag) on the male adapter before screwing onto faucet. Hand tight is usually sufficient but pliers are sometimes needed.
  - c. If your aerator has female (inside) threads, screw the faucet adapter onto your faucet just as you received it.
2. After attaching FAUCET ADAPTER, turn the water on and check for leaks. NOTE: The HAND-HELD SHOWER HEAD contains a safety feature that, even in the "OFF" position, may enable it to dribble a small amount of water. Make sure the ON/OFF LEVER is in the down ("OFF") position before turning on the water. If water leaks from the top of the faucet adapter you will need to add an additional washer (located in enclosed hardware bag).

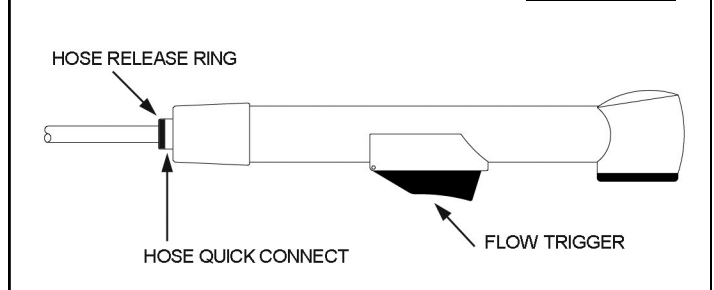
**ATTACHING HOSE TO QUICK CONNECT:** To make installation quick and easy (and to eliminate the use of tools), PUSH-IN HOSE FITTINGS are located on the HAND-HELD SHOWER and on the FAUCET ADAPTER.

1. Determine correct hose length needed.
  - a. The hose can be cut to any length that is most convenient for your use. NOTE: Cut hose as squarely as possible.
2. Insert one end of SHOWER HOSE into PUSH-IN HOSE FITTING located on the FAUCET ADAPTER by simply pushing the end of the hose past the HOSE RELEASE RING and into the QUICK CONNECT HOSE FITTING (see diagram above). Push and hold the HOSE RELEASE RING until friction is felt as the tube slides past the o-ring. NOTE: Using a slight twisting motion while inserting the tube is often helpful.
3. Insert remaining end of SHOWER HOSE into HOSE QUICK CONNECT located on the HAND-HELD SHOWER.

**REMOVING HOSE FROM PUSH-IN FITTING:**

1. Before removing hose, depressurize the unit by turning off water (either at faucet or using ON/OFF LEVER on FAUCET ADAPTER), then depress FLOW TRIGGER on HAND-HELD SHOWER.
2. To remove the hose, push and hold the HOSE RELEASE RING against the face of the QUICK CONNECT HOSE FITTING (OF HAND-HELD SHOWER) while pulling the HOSE out.

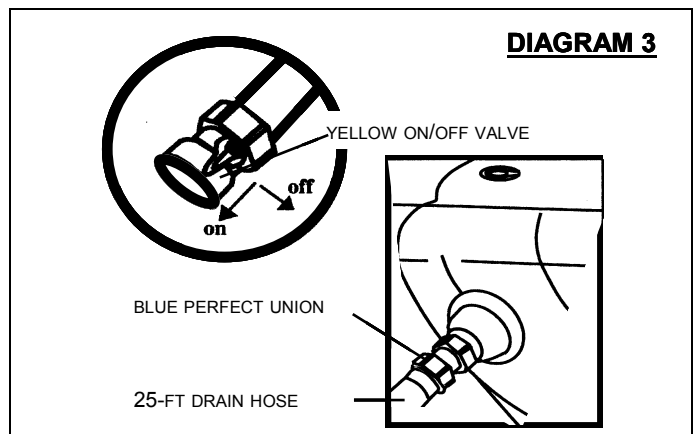
**DIAGRAM 2**



**OPENING THE BASIN DRAIN:** The BASIN DRAIN has two closures and both need to be removed in order to install the drain hose. The large outer closure simply unscrews. Gently pry out the smaller, inside closure. Once both closures are removed, insert your index finger inside the BASIN DRAIN and extend drain opening out, creating a cone shaped drain valve. NOTE: This step prepares the drain for the siphoning effect needed for efficient draining. If not completed, poor draining will occur.

**IMPORTANT:** The DRAIN HOSE must be attached to the BASIN DRAIN before filling the Basin with water.

**DRAIN HOSE ATTACHMENT:** The DRAIN HOSE is connected to the BASIN DRAIN on the outside of the Basin by attaching the BLUE PERFECT UNION to the BASIN DRAIN. (This can be done by simultaneously pushing up and slightly twisting the male (non-threaded) end before attaching connector ring). NOTE: The YELLOW ON/OFF VALVE is used for water control. Turn valve to "ON" for consistent draining or to "OFF" to stop drain flow. If a longer drain hose is needed, a standard garden hose may be attached for additional length.



**DRAIN FUNCTION:** The EZ-BATHE draining system uses a gravity fed method. In order to achieve the most efficient draining, the Basin must be higher than the object you are draining into. Otherwise, improper drainage may occur.

**DRAINING THE EZ-BATHE:** With the DRAIN HOSE attached to the BASIN DRAIN on the inflated Basin, run the end of DRAIN HOSE to bathtub, shower, or toilet and turn YELLOW ON/OFF VALVE to ON position for draining (refer to section on "DRAIN FUNCTION" for additional information in this area). If Basin is not draining fast enough, check to be sure that the DRAIN HOSE has no kinks or large drooping curves. Draining works best if the DRAIN HOSE slopes at a consistent level to the draining area. Raising the head of the bed a few inches may also improve drainage. Once Basin is completely drained, the SUCTION PORT and GULPER ATTACHMENT can be used to vacuum any soapy water that may remain. Rinse, drain, and towel dry the EZ-BATHE before storing.

**OPTIONAL PUMP USAGE:** If required, a water pump may be used to increase the flow of water through the drain hose. Connect the pump to the YELLOW ON/OFF VALVE. Any type of water pump having a standard garden hose connection may be used. NOTE: This item is not available through Homecare Products, Inc., however, most home & garden stores carry suitable pumps.

## IMPORTANT BATHING HINTS

- **WARNING:** EZ-BATHE is best used as a lay-down shower. If you choose to use the product as a soaking tub, please be aware of the inherent risks. Like any inflatable product, there is risk of unexpected deflation and water spillage may occur. Homecare Products, Inc. cannot be responsible for any property damage as a result.
- Do not leave patient unattended while using the EZ-BATHE.
- For the benefit of patient comfort, it is helpful to have a clean linen or large towel available to place on him/her to keep warm while the unit drains excess water.
- The (F) INFLATABLE PILLOW, when inflated to its maximum capacity, may be too high to support the patients head and shoulders comfortably. Deflate as needed using the valve on pillow.
- As the patient will be thoroughly cleansed and dried after using the EZ-BATHE, it is suggested that fresh linen be placed on the bed before the bath is started.
- The EZ-BATHE should be at room temperature *before* placing it under the patient.
- **WARNING:** Do NOT use electrical appliances in or around the EZ-BATHE while patient is in Basin and wet.

## STORAGE AND CLEANING

- The EZ-BATHE and pillow are easily cleansed and stored. Before removing patient from the Basin, quickly wipe-up any surplus dampness with a towel.
- Product is made of PVC and contains an anti-microbial agent. While inflated, hand wash using warm water and mild soap. Rinse, drain, and wipe out excess water. Leave unit inflated for several hours after use/cleaning to allow thorough air drying before deflating, folding, or storing.
- **WARNING:** If you have concerns about allergies or how the recommended cleaning solution may affect your health, please consult with your physician or other healthcare professional before using so he/she can recommend alternatives or product can be disposed of after each use.
- Please contact your dealer if you have any questions regarding the use of your EZ-BATHE. NOTE: A patch kit has been included in case of accidental puncture of the Basin or pillow.

## 1-YEAR LIMITED WARRANTY

1. EZ-ACCESS, a division of Homecare Products, Inc., (herein referred to as Manufacturer), warrants that the equipment shall be free from defects in material and workmanship under normal use and service for a period of 1-year from the date of original purchase. This limited warranty applies to the original purchaser only and is non-transferable. Proof of purchase is required. No part of this warranty will apply to any equipment which has been subject to misuse, vandalism, negligence, alteration, improper loads, accident, improper installation, or which has been repaired outside Manufacturer's place of business in any way as in the reasonable judgment of Manufacturer, to adversely affect its performance and reliability, nor to normal deterioration due to wear, tear and exposure, corrosion, or damage caused by rain, fire, earthquake or other natural causes or acts of nature.
2. Manufacturer's obligation and purchaser's sole remedy under this warranty is limited to, at Manufacturer's option, repairing or replacing equipment which is returned to its place of business and which, upon examination, shall disclose to Manufacturer's reasonable satisfaction to have been defective. Manufacturer will make the repair or replacement of defective components at its own expense. If Purchaser discovers a defect, he/she must call Manufacturer at 253-249-1101 to request a Return Authorization (RA) to return the merchandise to Manufacturer.
3. This limited warranty does not cover removal or reinstallation. Manufacturer reserves the right to require Purchaser to pay for all shipping charges (Government purchases exempt).
4. **DISCLAIMER: THE WARRANTIES AND REMEDIES CONTAINED HEREIN ARE EXCLUSIVE AND IN LIEU OF ALL OTHER WARRANTIES, WHETHER EXPRESS, IMPLIED OR STATUTORY, INCLUDING ANY LIABILITY ARISING UNDER ANY WARRANTY OF MERCHANTABILITY OR FITNESS FOR A PARTICULAR PURPOSE, STATUTORY OR OTHERWISE. HOWEVER, THAT IF ANY IMPLIED WARRANTY CANNOT BE DISCLAIMED IN ANY TERRITORY WHERE A PRODUCT IS SOLD, THE DURATION OF SUCH IMPLIED WARRANTY IS LIMITED TO THE DURATION OF THE LIMITED WARRANTY DESCRIBED IN THE FIRST PARAGRAPH.**
5. **MANUFACTURER SHALL NOT BE LIABLE UNDER ANY CONTRACT, NEGLIGENCE, STRICT LIABILITY OR OTHER LEGAL OR EQUITABLE THEORY FOR ANY DIRECT, SPECIAL, INCIDENTAL OR CONSEQUENTIAL DAMAGES, RESULTING FROM THE USE, MISUSE OR INABILITY TO USE THE EQUIPMENT, OR ARISING OUT OF ANY BREACH OF THIS LIMITED WARRANTY, EVEN IF MANUFACTURER HAS BEEN ADVISED OF THE POSSIBILITY OF SUCH DAMAGES. THE SOLE REMEDY FOR A BREACH OF THE FOREGOING LIMITED WARRANTY IS REPLACEMENT OF THE DEFECTIVE OR NON-CONFORMING EQUIPMENT OR PART. THE MAXIMUM LIABILITY OF MANUFACTURER UNDER THIS WARRANTY IS LIMITED TO THE PURCHASE PRICE OF THE EQUIPMENT COVERED BY THE WARRANTY.**
6. Some states do not allow the exclusion or limitation of incidental or consequential damages, so the above limitation or exclusion may not apply to you. This warranty gives you specific legal rights, and you may also have other rights which may vary from State to State. Manufacturer reserves the right to change or improve its products without any obligation to change or improve any Product previously manufactured by it.