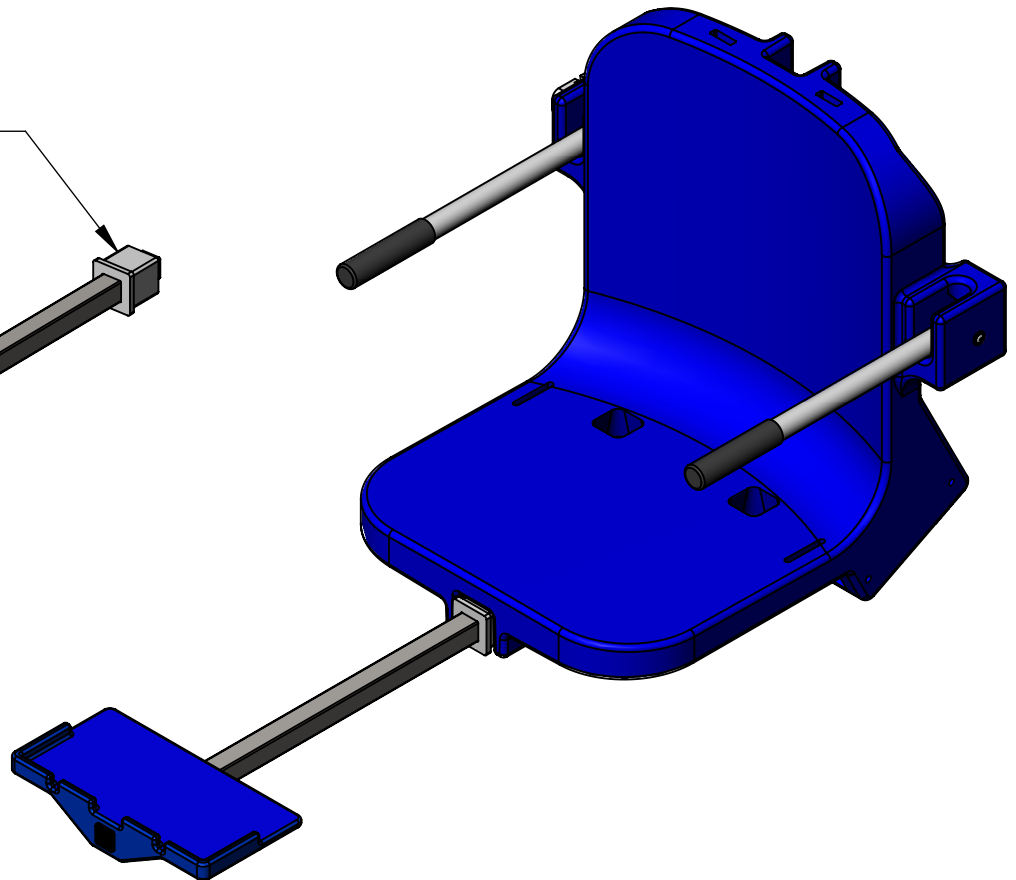
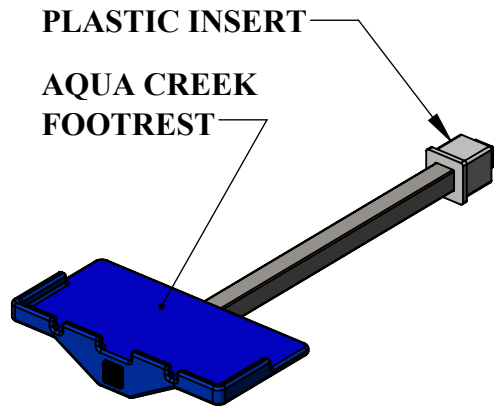
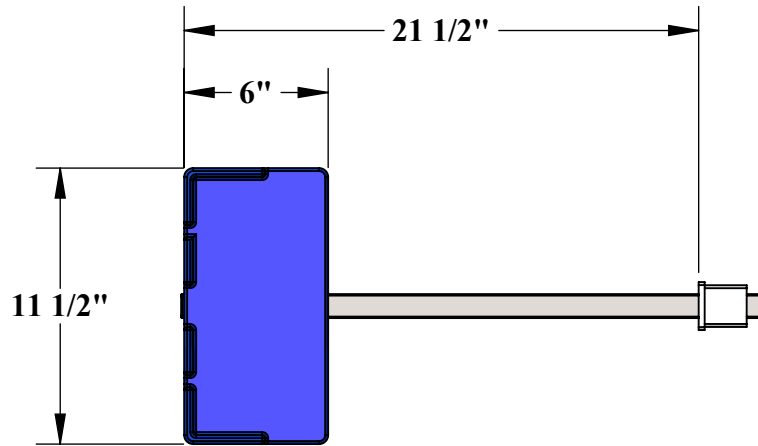


AQUA CREEK LEGREST ASSEMBLY



SPECIFICATIONS:

THE AQUA CREEK LEGREST ASSEMBLY SHALL BE EXTENDABLE TO ACCOMODATE A WIDE RANGE OF USERS. THE LEGREST TUBE SHALL BE CONSTRUCTED OF TYPE 304 STAINLESS STEEL. THE FOOTREST SHALL BE MOLDED FROM HDPE WITH A UV ADDITIVE. THE FOOTREST IS ALSO AVAILABLE IN TAN, WHITE AND GREY.



9889 GARRYMORE LANE
 MISSOULA, MT 59808
 (406) 549-0769
 FAX (406) 549-2602

NOTE:
 *SPECIFICATIONS ARE SUBJECT TO CHANGE WITHOUT NOTICE

PRODUCT: LEGREST ASSEMBLY	
PART #: F-LRB	
SCALE: 1:8	DATE: 6/6/2019
DRAWN BY: KR	REVISION: A